

Honoured with:



Glass sliding door

w17 easy

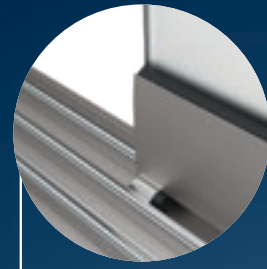
w17 easy Individual unit

The **w17 easy** from weinor is equally as suitable as weather proofing for patios, balconies and pergola awnings as well as a room divider for indoors with the new optional accessible floor rails. The full glass sliding door is a breeze to operate and also locks if required thanks to the premium-quality fittings. High-quality handle and lock versions are available for this. The **w17 easy** is also fitted with a soft closing system. Thanks to the cushioned leaf actuator and high-quality stainless steel rollers, the glass elements are extremely durable as well as quiet and easy to move. Retrofitted to many types of roofs, the full glass sliding system offers maximum transparency without any vertical frame: for rooms flooded with daylight and smooth transitions from the garden to the house.

07

Soft-Sliding-System:

Quiet and easy movement of glass elements thanks to cushioned leaf actuation.



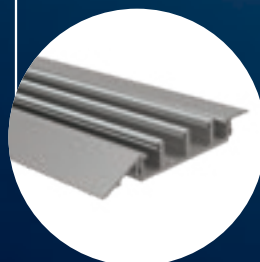
Better leaf adjustment:

Height adjustment of glass panels makes installation easier

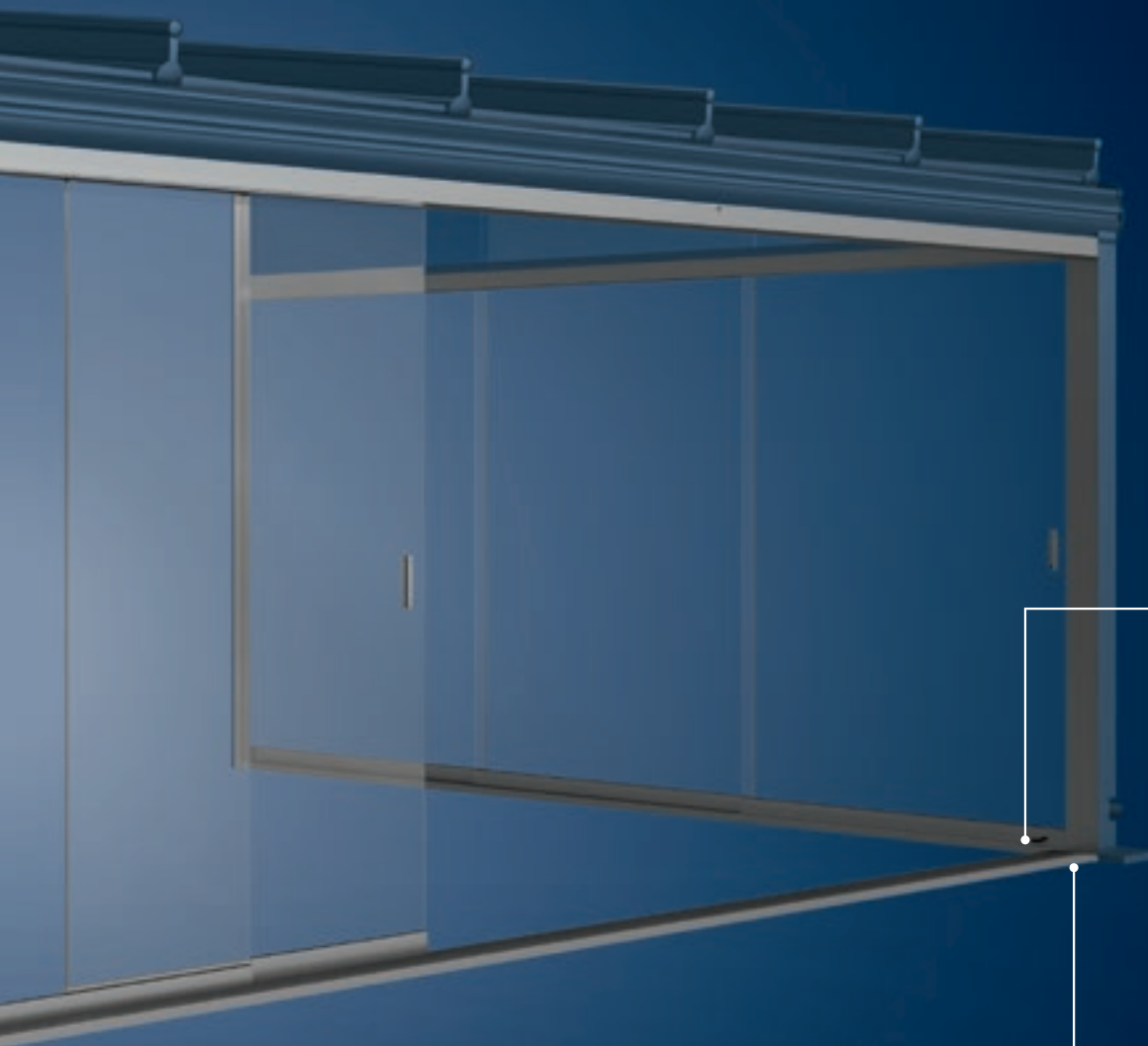


Angled and straight floor connection profiles:

perfect connection to existing floors (for standard rails too)



w17 easy Highlights



Foot-operated panel catch:
Convenient closing

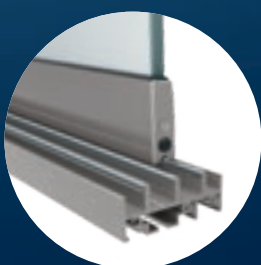


Clever CleanCase®:
Easy cleaning



Floor rails with slope to the outside:

Version 1:
Standard rail for secure fixing

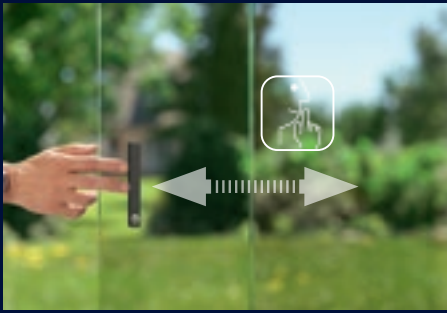


Version 2:
Flatter and therefore accessible



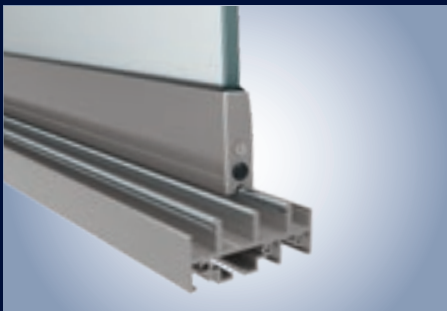
07

w17 easy Benefits



Soft-Sliding-System

The w17 easy full glass sliding door is fitted as standard with the new Soft-Sliding-System. It allows for the extremely quiet and easy movement of the glass leafs. The system is fitted with high-quality stainless steel rollers and guide rails. In addition, all the leaf actuators, leaf stop bars in the end positions and wall gap sealing profiles are fitted with softer cushioning elements.



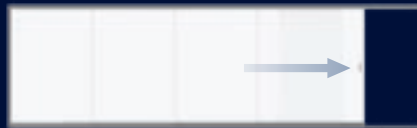
2 new floor rails – lower and more angled

The standard rails can be fixed securely, the flat floor rails also ensure an accessible transition. It is therefore ideal for use in living areas. Straight and angled attachment profiles ensure a smooth transition to existing floors.

- Standard rail 26 mm high with integrated CleanCase® (optional without CleanCase® – with drainage holes)
- Flat floor rail, 13 mm high, accessible
- Angled or straight floor gap sealing profiles (optional)



Lockplate version – opens on two sides, closes in the centre



Single system – opens on one or two sides, closes on the left and/or right



Corner unit – frameless full glass corner, e.g. for balconies and loggias

w17 easy Benefits



Clever CleanCase® – easy cleaning of the standard floor rail

The standard floor rail has a practical CleanCase® – easy removal of dirt using a hand brush or cloth.

- Reliable drainage outside



Comfortable foot-operated catch

weinor developed an intelligent fixing mechanism so that the glass leaves remain reliably in the position you want when fully or partly open.

- Comfortable to operate without having to bend down
- Locking and releasing of w17 easy by applying slight pressure with the foot

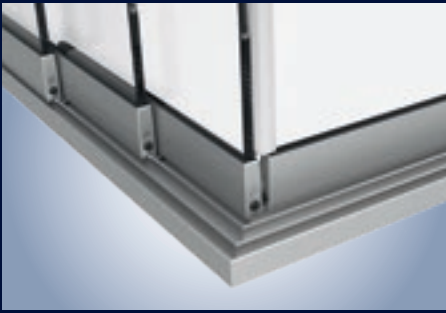


High-quality handle and lock versions

The full glass sliding doors can be operated conveniently using the high-quality handle versions. The lockcase with hung bolt offers additional security thanks to interlocking (option).

- Standard handles: in stainless steel and the system colour
- Cup pull handles: in V4A stainless steel for extreme corrosion resistance
- Lockcase and hung bolt: in system colour (A4 stainless steel rust-free lockcase inside, highly corrosion-resistant nickel silver key and profile cylinder), can be locked from the inside, can be locked from both sides as an option.

w17 easy Benefits



Seal profiles – well-sheltered against the wind and rain (optional)

Strong brush profiles seal the transition between the glass panels and the side and top guide profiles. There is also a new gap sealing profile to perfectly seal the corner gap between glass panels.

- Highly resistant to driving rain and windproof thanks to the combination with sealing profiles under the glass leaves
- Transparent gap seals between the glass panels for added weather protection



Retrofittable – for virtually every patio roof

Being a floor-mounted structure, weinor's full glass sliding door wall fits under virtually every patio roof as well as many other roof structures.

- weinor's patio roof can be extended to create a Glasoase®
- No additional costs for structural safety adjustments
- Matching profiles from weinor for easy retrofitting
- Easy to clean and easily accessible from the outside



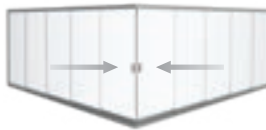


Maximum transparency and premium weather protection

An unobstructed panoramic view all around:

- Full glass design with top and bottom guide rails
- No vertical frames between the panels
- Noticeable noise reduction
- Single-pane safety glass in 6, 8 und 10 mm possible
- Structural safety calculations performed by certified engineering firm

w17 easy Technology

Versions of the w17 easy	Single system	Lockplate version	Corner unit
			
Technology			
Max. width of system	6,600 mm	10,000 mm	combination of single systems and/or lockplate versions
Max. height of system w17 easy*	2,400 mm	2,400 mm	2,400 mm
Max. height of system w17 easy XXL*	2,800 mm	2,800 mm	2,800 mm
Number of leaves	2 to 5	4 to 10	2 to 10 per side
Opening type	parallel-sliding	parallel-sliding	parallel-sliding
Standard lock	interior	interior	interior
Glass type	single-pane safety glass in 6 mm, 8 mm, 10 mm (satin-finish as option)		
Height compensation: standard	0 mm / – 25 mm	0 mm / – 25 mm	0 mm / – 25 mm
Aluminium handle bar in system colour	●	●	●
Universal 26 mm floor rail with CleanCase®	●	●	●
Flat 13 mm floor rail, accessible	○	○	○
Guide rail type	2-track to 5-track, construction depth 50 to 110 mm, trimmed in or on top		
Soft-Sliding-System	●	●	●
Accessories			
Brush profile	○	○	○
Gap sealing profiles	○	○	○
Wall gap sealing profile	○	○	○
Additional standard lock on fixed leaf	○	○	○
Lockcase and hung bolt (lockable from the inside)	○	○	○
Lockcase and hung bolt (locks from either side)	○	○	○
Heat-soak test	○	○	○
V4A stainless steel handle bar	○	○	○
V4A stainless steel cup pull handle	○	○	○

* Please note the information on the following pages

● standard ○ optional — unavailable



We provide important information regarding w17 easy glazing in the weinor download centre: Here you will find the **guideline for assessing the visual quality of glass for the building industry**, published by the Bundesverband Flachglas e.V. (German Federal Flat Glass Association).

Details for w17 easy Full glass sliding door

Standard design

- All-glass construction with movable leaves
- Top and bottom guide profiles, 2-track to 5-track
- Glass leaf without side frame
- Floor-mounted construction, running at the bottom
- Bottom guide rails with CleanCase®, top guide rails with end caps
- No water drainage holes with up to 6 m wide straight systems, additional water drainage holes in the centre from systems wider than 6 m
- At least 2 leaves
- Symmetrical arrangement, all leaves of equal width

Glazing

- Delivery with 6, 8, or 10 mm toughened safety glass
- Optional satin glass or decorative glass possible (max. headroom reduced by approx. 20%. Exact details on request)
- Possible to adjust the leaves on both sides thanks to the glazing's height adjustment
- Guidelines for leaf weights based on glass thickness
 - 6 mm toughened safety glass: 15 kg/m²
 - 8 mm toughened safety glass: 20 kg/m²
 - 10 mm toughened safety glass: 25 kg/m²
- Systems exceeding 2001 mm high with 8 mm thick glass have to be fitted with appropriate edge protection in the corner. This can be suitable rubber bumpers, wall gap sealing profiles and brush seals between the leaves. This have to be ordered separately.

Operation and fittings

- Opens to the left or right as required
- Hinged access door on the inner track
- Special safety device on the active door and fixed leaf
- Active door locks on the inside, on the bottom glass retainer
- With stainless steel guide rails and stainless steel guide rollers supported by ball bearings
- Operating handle inside as handle bar on the glass leaf in system colour. Stainless steel and operation on both sides as option

Soft-Sliding-System



- The w17 easy full glass sliding door is fitted as standard with the Soft-Sliding-System. It allows for the extremely quiet and easy movement of the glass leaves. In addition, all the leaf actuators, leaf stop bars in the end positions and wall gap sealing profiles are fitted with softer cushioning elements.

Standard design for lockplate versions

- Symmetrical arrangement, all leaves of equal width
- Inclusive gap sealing profile in the centre for active doors

Details for w17 easy Full glass sliding door

Maximum height of the w17 easy depending on the glass thickness and installation height

Max. installation height H in m	Glass thickness (toughened glass) in mm									Dynamic pressure in kN/m ²
	6			8			10			
	Maximum height in mm									
H ≤ 10	1500	1950	1800	1800	2350	2400	2000	2650	2800	0.50
10 < H ≤ 18	1400	1850	1600	1650	2200	2100	1900	2450	2600	0.65
18 < H ≤ 25	1350	1800	1500	1600	2100	1900	1800	2400	2400	0.75

- 2 Corner area
 - 3 Standard area
 - 2 Special height* (applies to normal and corner areas)
- * If brush profiles, gap seals and bumpers are also used

Glass thickness in mm	6	8	10
Maximum height of the w17 easy in mm (indoors)	1600	2100	2600

- The defined max. heights and glass thicknesses of the w17 easy relate to the defined loads; the load case prevailing at the site of installation must be determined by the weinor partner
- If, in special cases, a deflection limitation should be necessary for the leafs on the w17 easy, the specified glass thicknesses will no longer apply
- For the defined max. heights and glass thicknesses of the w17 easy, the following loads have been assumed: wind zone 1, mixed profile inland; the dynamic pressure can be found in the table above

Important information

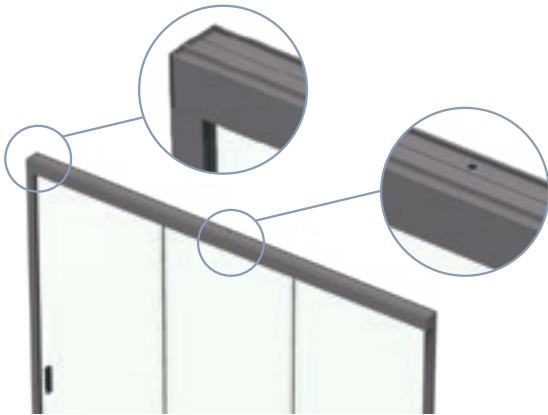
- The sizes specified in the price list refer to standard areas. Height restrictions at times apply for corner and interior areas. These are available on request.
- As standard without heat-soak test (the heat-soak test must be performed if the installation height/vertical drop is 4 m above the ground or higher)
- Observe the load-bearing capacity and static suitability of the supporting structure for the installation of a w17 easy
- Other dimensions and other designs available on request
- It is not recommended that you store glass panes outdoors between delivery and installation. If they are exposed to weather conditions before installation then impurities and marks may accumulate on the glass. This could mean considerable more time in the final cleaning/snagging after final assembly.
- Check the glass for damage or transport damage immediately upon delivery and document this. Do not install a system with obvious damage to avoid consequential costs.

Details for w17 easy XXL

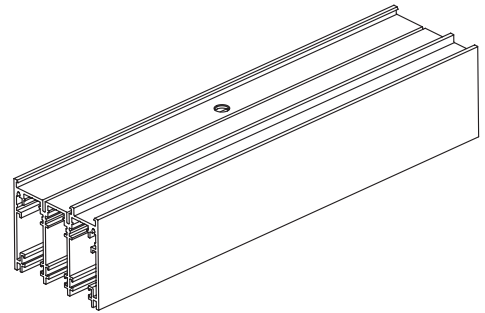
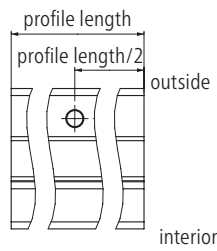
- Under normal installation conditions, the maximum heights for 10 mm glass for a w17 easy XXL for outdoors is up to 2800 mm (normal or corner areas). The conditions for the special height apply.
- Brush profiles, gap seals or bumpers must be used to protect the glass (for surcharges, please see the next pages)
- Maximum leaf weight 80 kg, this leads to the glass leaf being more difficult to move
- Guidelines for leaf weights based on glass thickness: 10 mm toughened safety glass: 25 kg/m²
- The max. ratio of height to width must not exceed 3:1. A larger ratio may be possible on request (with restrictions, if applicable)
- With a height over 2500 mm, the glass may have up to 6 mm tolerance. This may lead to functional impairments
 - Cup pull handle or flat handle bar may abut against other panes
 - The brush profiles may be moved by the panels or may not seal so well
 - With constructions with wall gap sealing profiles the glass may abut against the profile

w17 easy Planning

Drainage options in the bottom and top guide rails

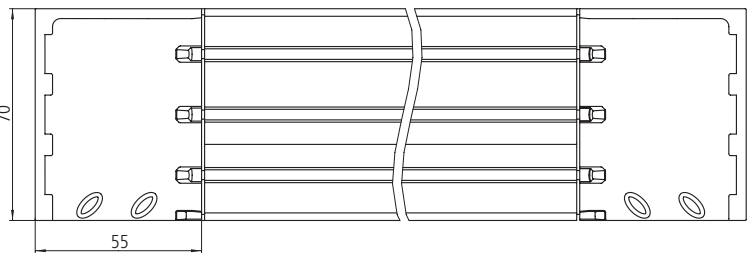


Top guide rail with drainage hole and seal with side cover cap



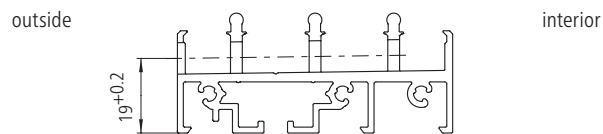
Standard floor rail with CleanCase®

- 2-track = 50
- 3-track = 70
- 4-track = 90
- 5-track = 110

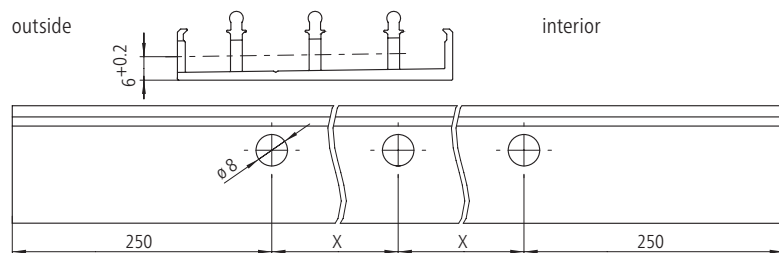


Floor rail without CleanCase®

Water drainage holes for systems with no CleanCase®



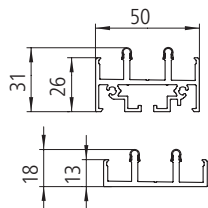
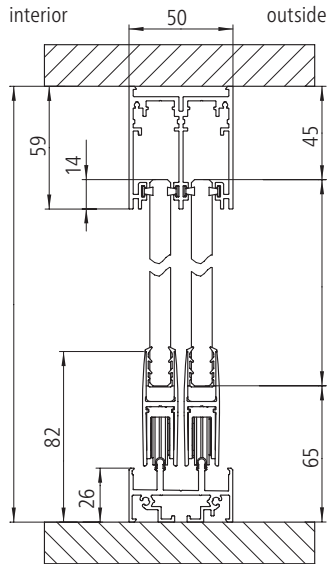
Flat floor rail



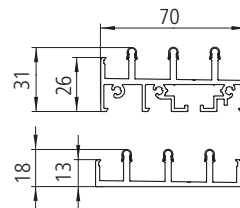
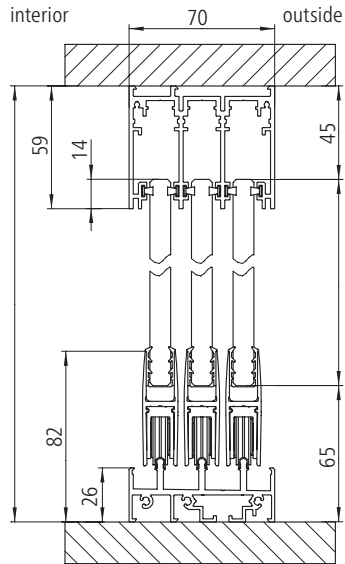
X = all other holes are drilled symmetrically distributed over the length of the profile

Cross-sections (not to scale)

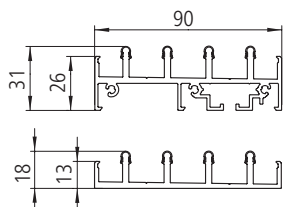
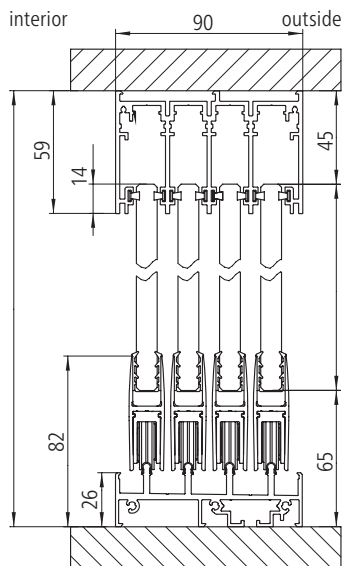
Vertical cross-sections



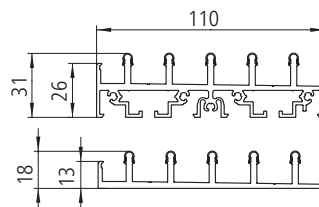
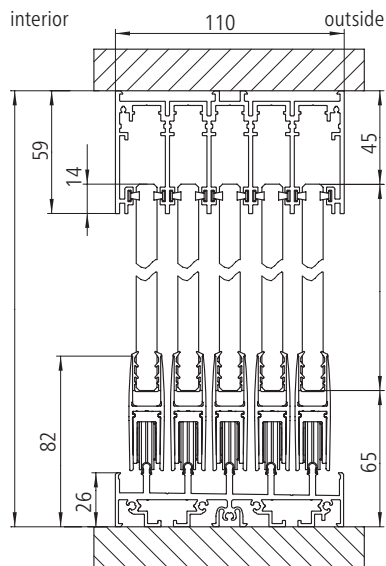
2-track



3-track



4-track

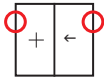
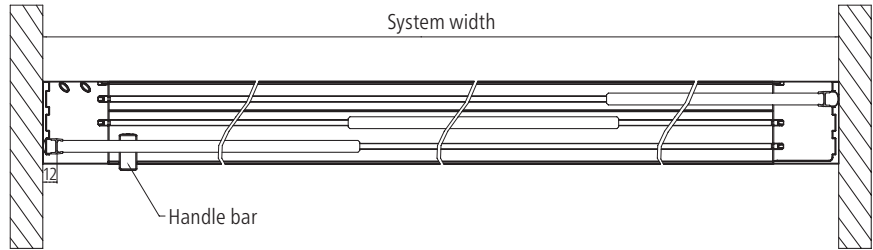


5-track

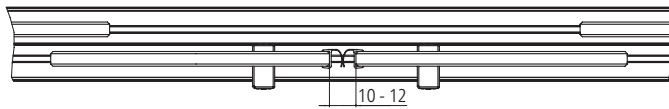
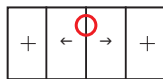
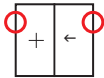
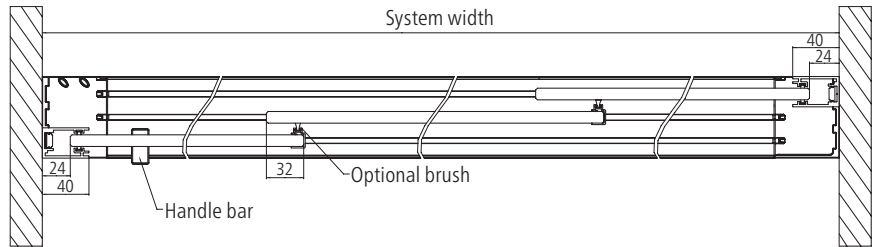
Cross-sections (not to scale)



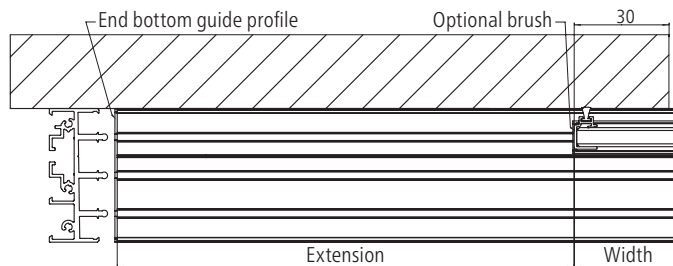
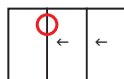
Version without wall connection profile



Version with wall connection profile



Detail of lockplate system (central)



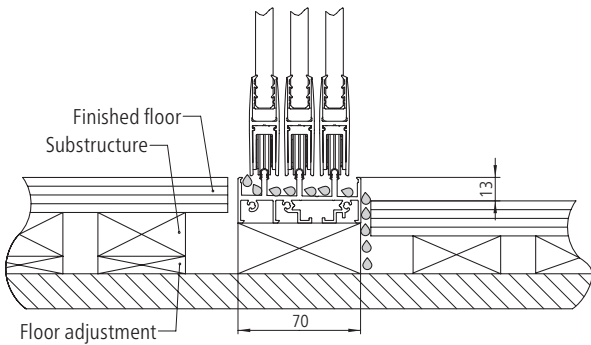
Chain dimensioning for guide profile extension



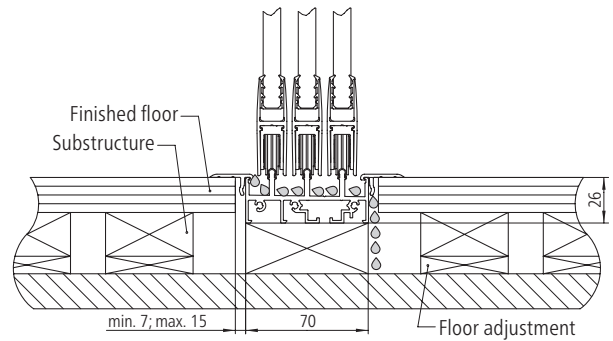
Leaf stop

The glass leaves are securely held in the top guide rails by a stable leaf stop bar. It is used with straight systems on the side without a wall gap sealing profile and in the centre with lockcase doors.

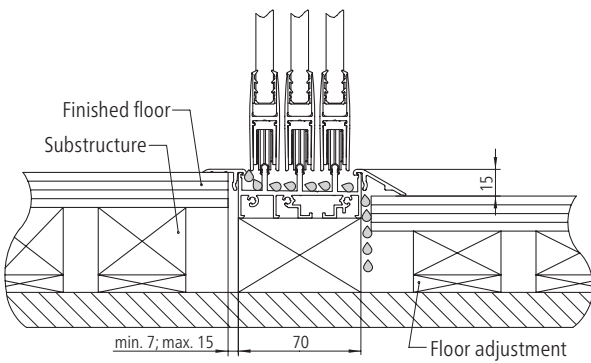
Floor rails installation situations



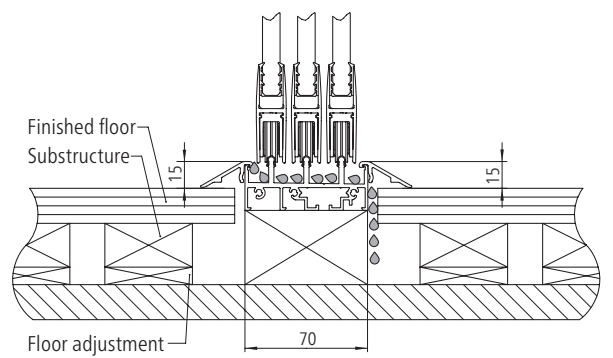
Floor rail with CleanCase® trimmed in with no attachment profiles



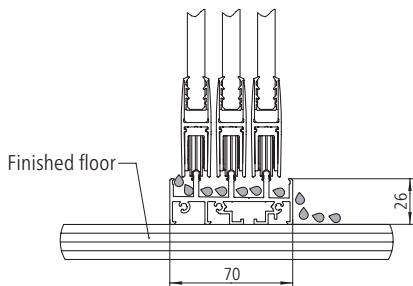
Floor rail with no CleanCase® with drainage holes (optional) trimmed in with floor gap sealing profiles



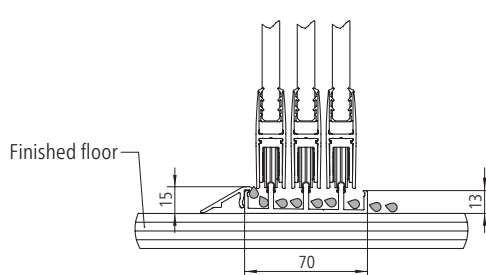
Floor rail with CleanCase® partly trimmed in with floor gap sealing and threshold profile



Floor rail with CleanCase® partly trimmed in with threshold profile

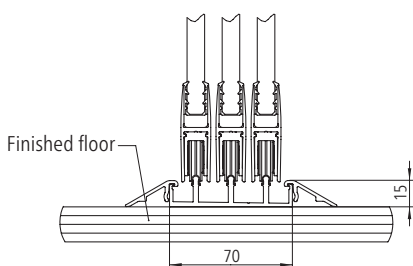


Floor rail with CleanCase® or optionally with drainage holes on top with no attachment profiles



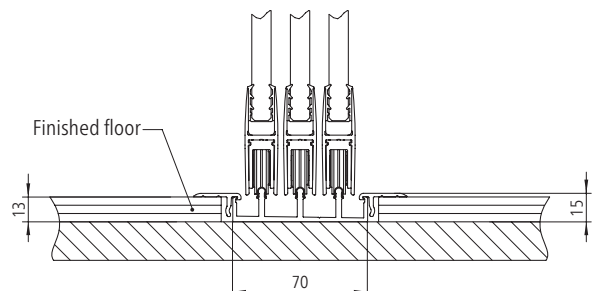
(with optional drainage holes)

Flat floor rail on top inside with threshold profile



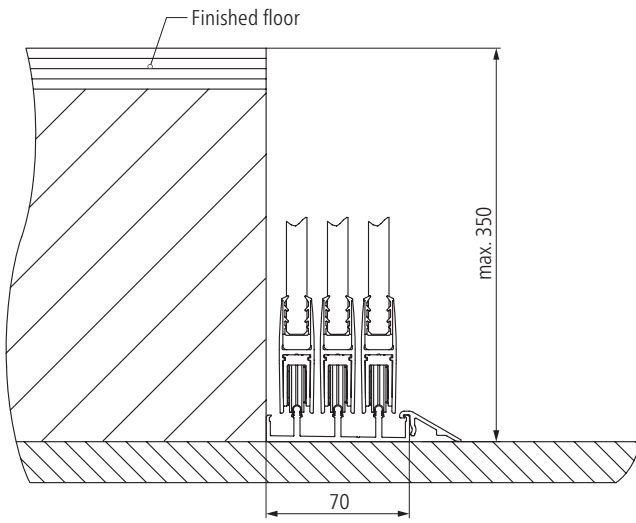
(no drainage holes)

Flat floor rail on top with threshold profile

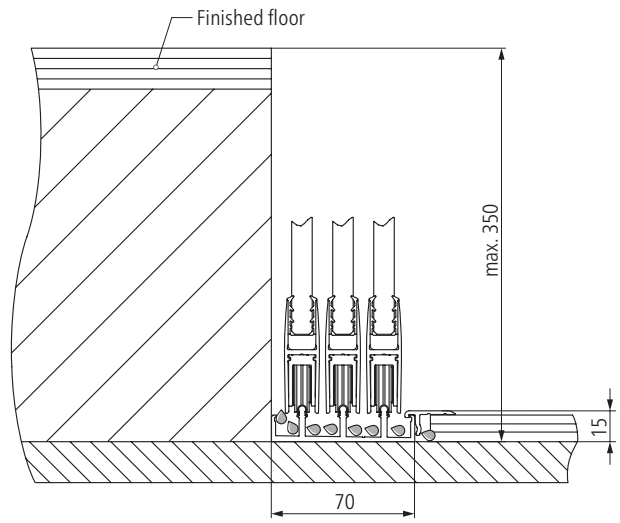


Flat floor rail trimmed in, on both sides with floor gap sealing profile

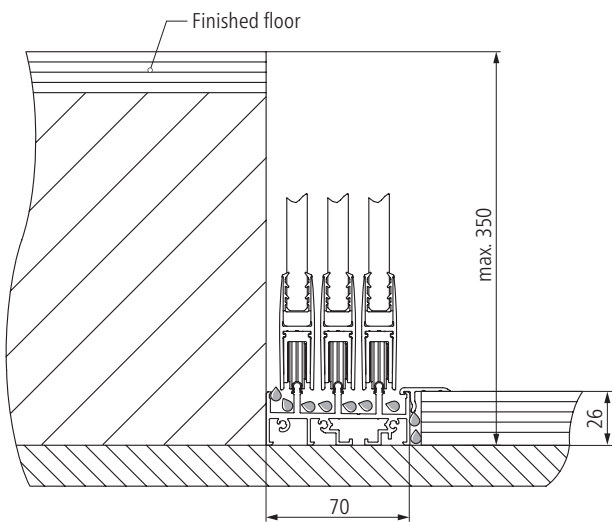
Floor rails installation situations



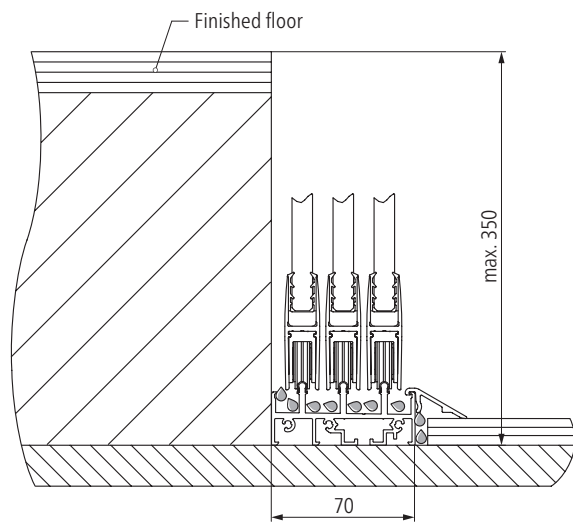
Flat floor rail on top with threshold profile (no drainage holes, indoor only)



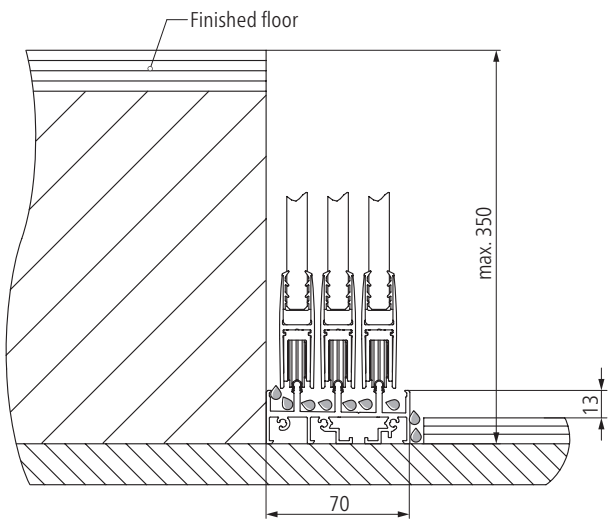
Flat floor rail trimmed in, on one side with floor gap sealing profile (with optional drainage holes)



Floor rail with no CleanCase® trimmed in with floor gap sealing profiles (with optional drainage holes)

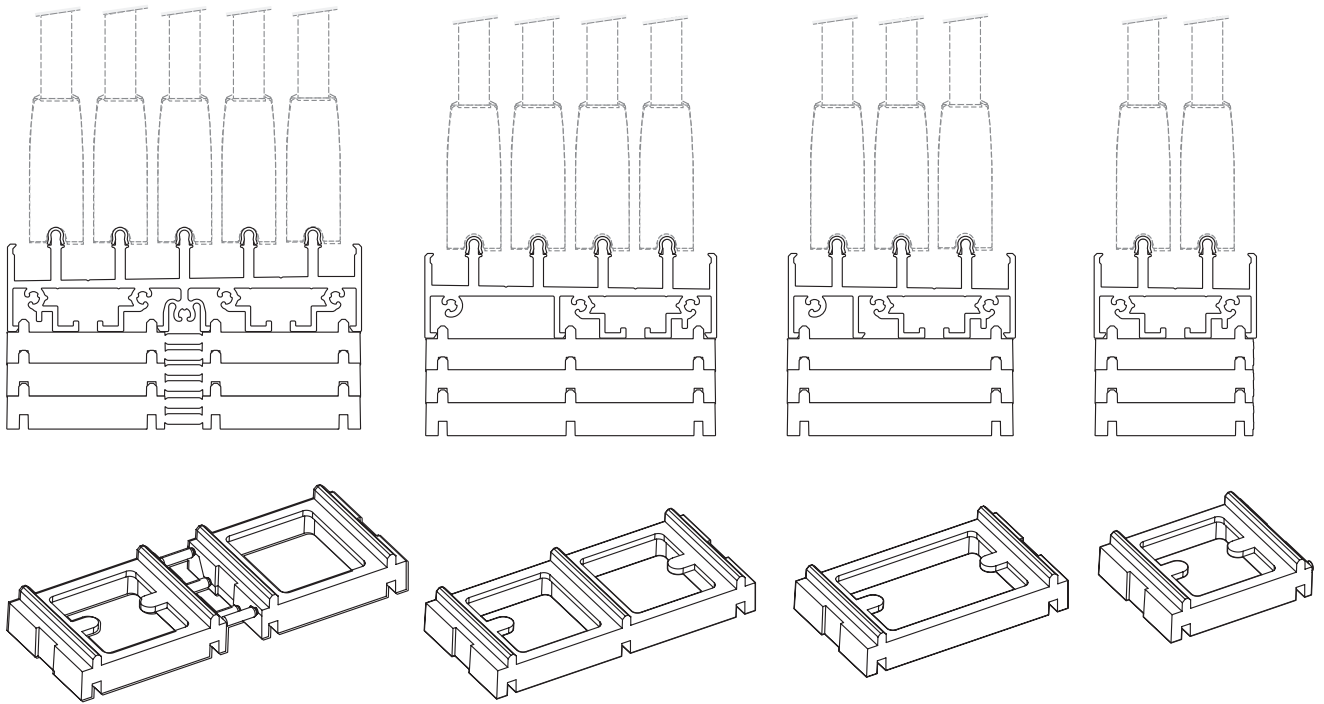


Floor rail with CleanCase® partly trimmed in with threshold profile (with optional drainage holes)



Floor rail with CleanCase® partly trimmed in with no attachment profiles (with optional drainage holes)

Installation blocks/packers to support the floor rails



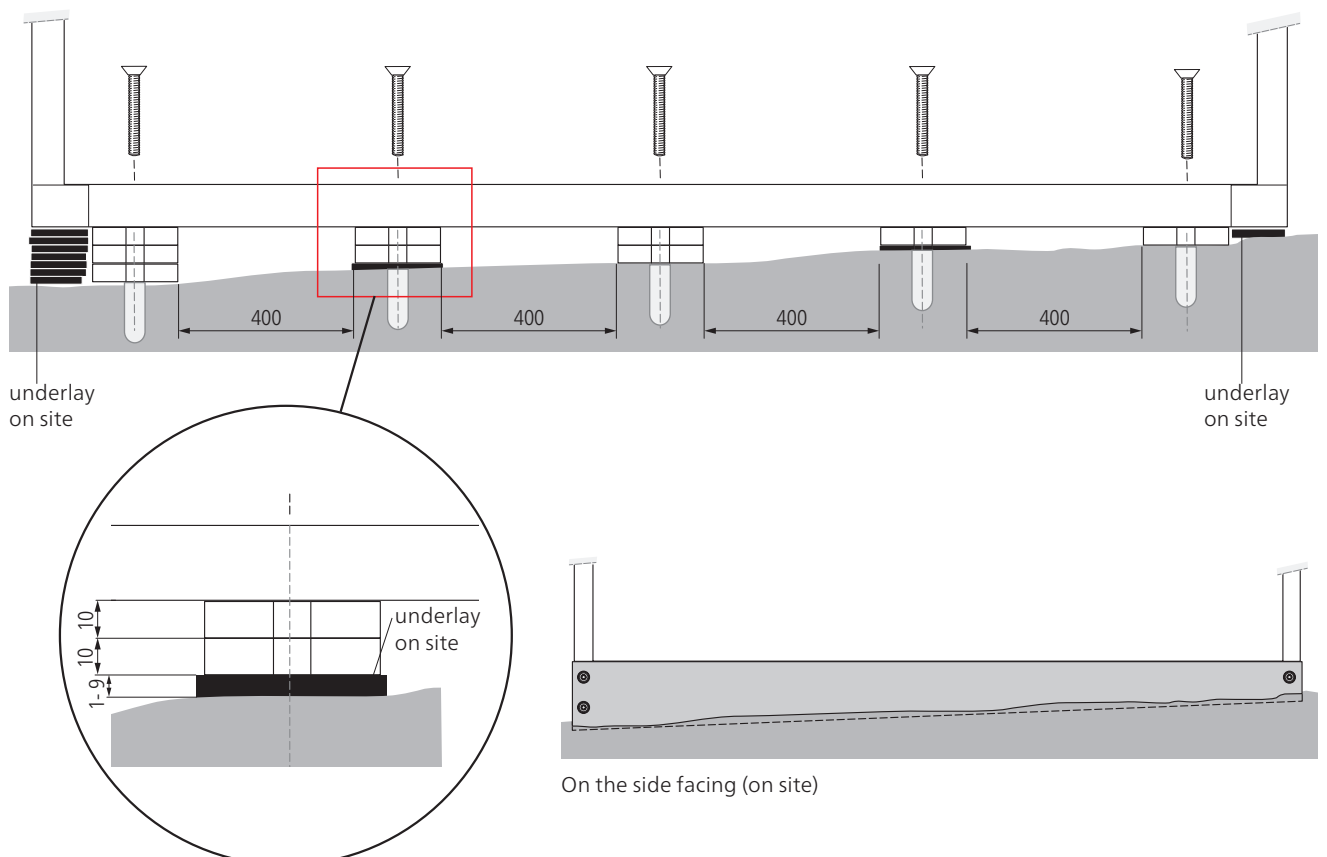
Installation blocks/packers 2- and 5-track*

Installation blocks/packers 4-track

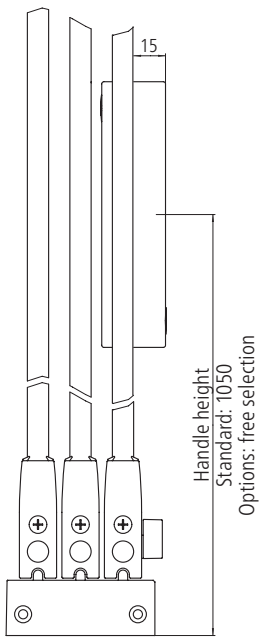
Installation blocks/packers 3-track

Installation blocks/packers 2-track*

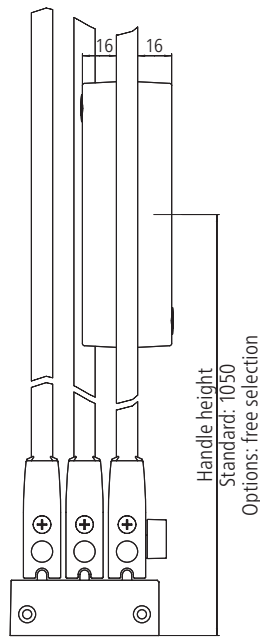
* Combined block/packer, can be split for 2-track.



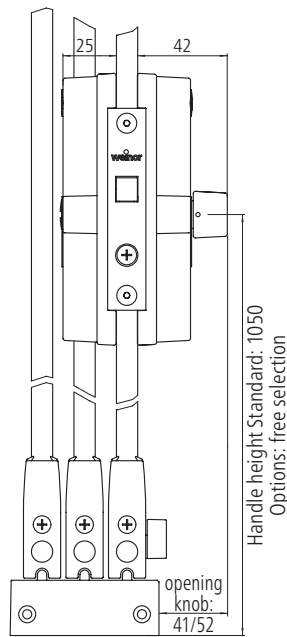
Handle



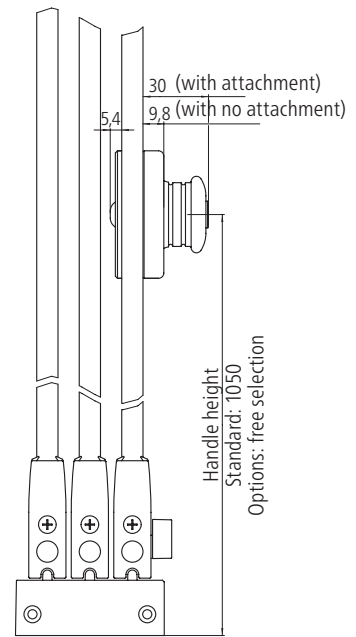
Standard handle



Handle on both sides



Lockcase and hung bolt with opening knob

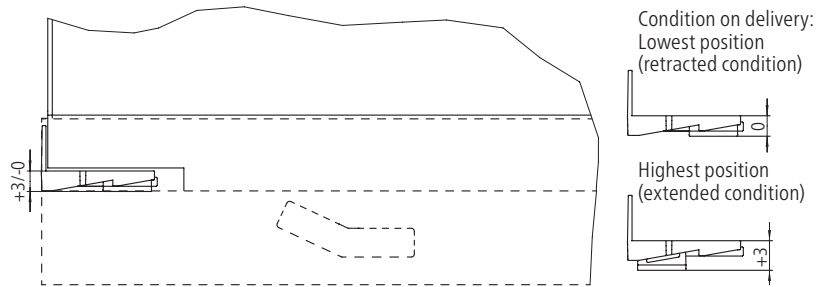


Cup pull handle, both options

Height adjustment and standard locking



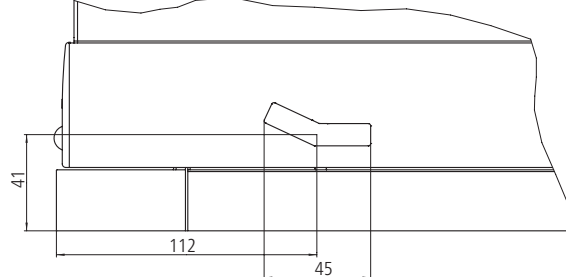
Glazing height adjustment



● Adjustment per leaf on one side only, see notes in the assembly instructions



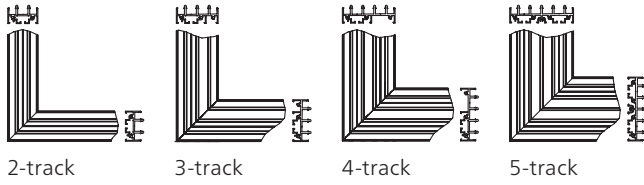
Standard locking



Detail of floor rail with leaf profile with locking lever

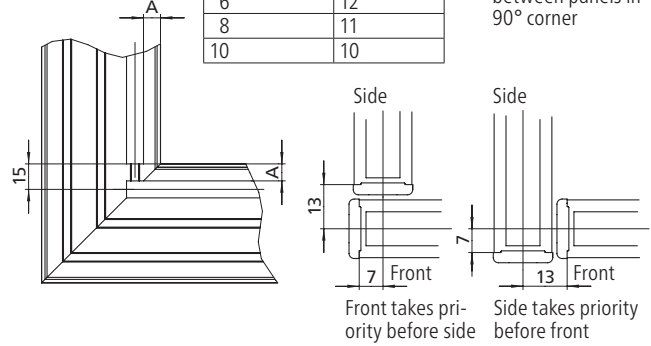
Cross-sections (not to scale)

90° corners always with the same number of tracks

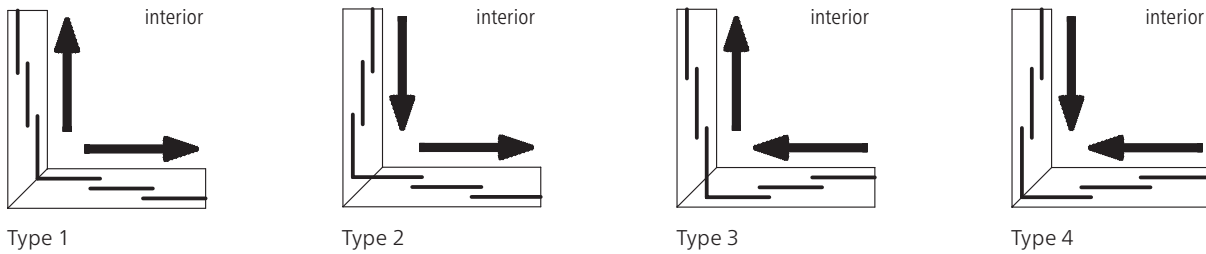


Glass thickness	Dimension A
6	12
8	11
10	10

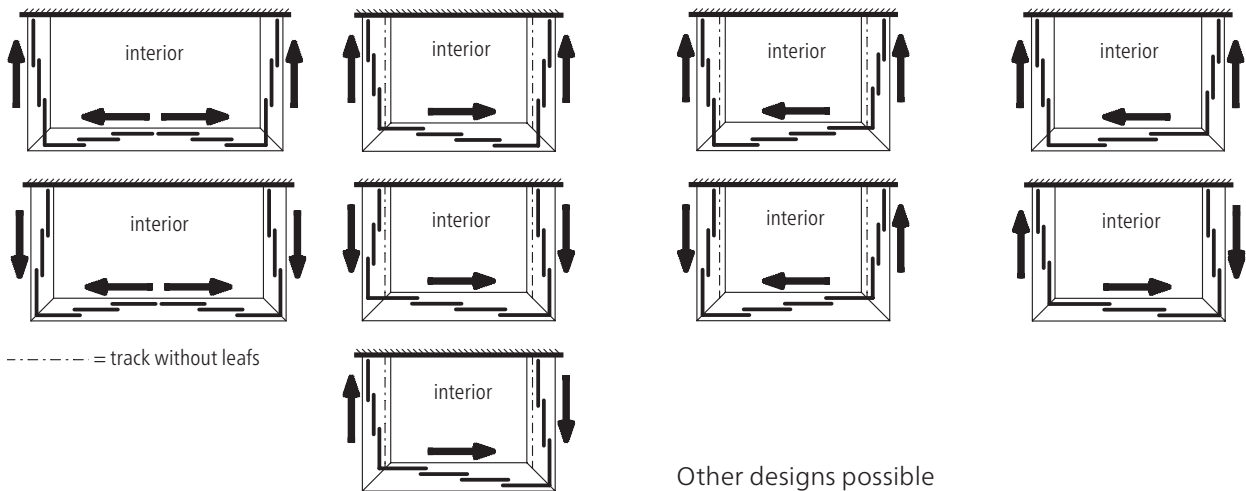
A – Theoretical spacing between panels in 90° corner



Possible leaf arrangements in corners

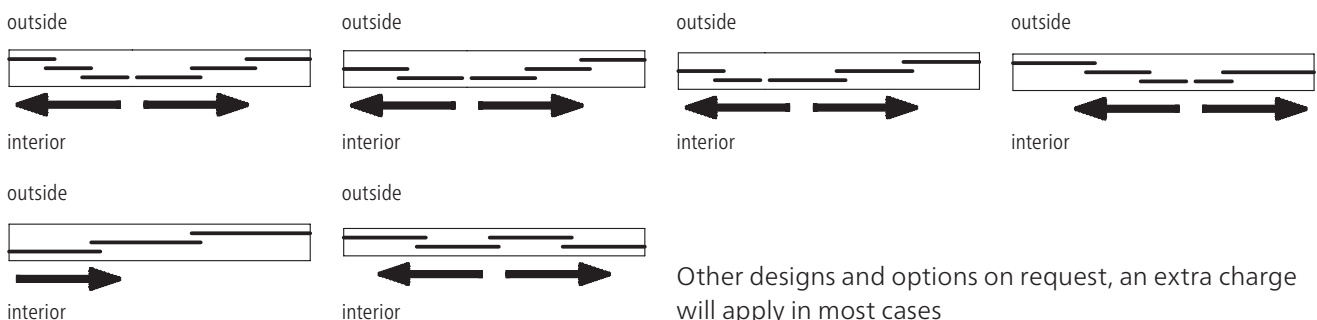


Examples of designs for standard Glasoasen®



Other designs possible

Examples of custom designs



Other designs and options on request, an extra charge will apply in most cases

w17 easy Installation

Glazing element provision

Possible installation behind a structure

