



Pergola awning

markilux pergola style

Large area solar and weather protection system, with an unadorned, elegant design.



reddot winner 2024



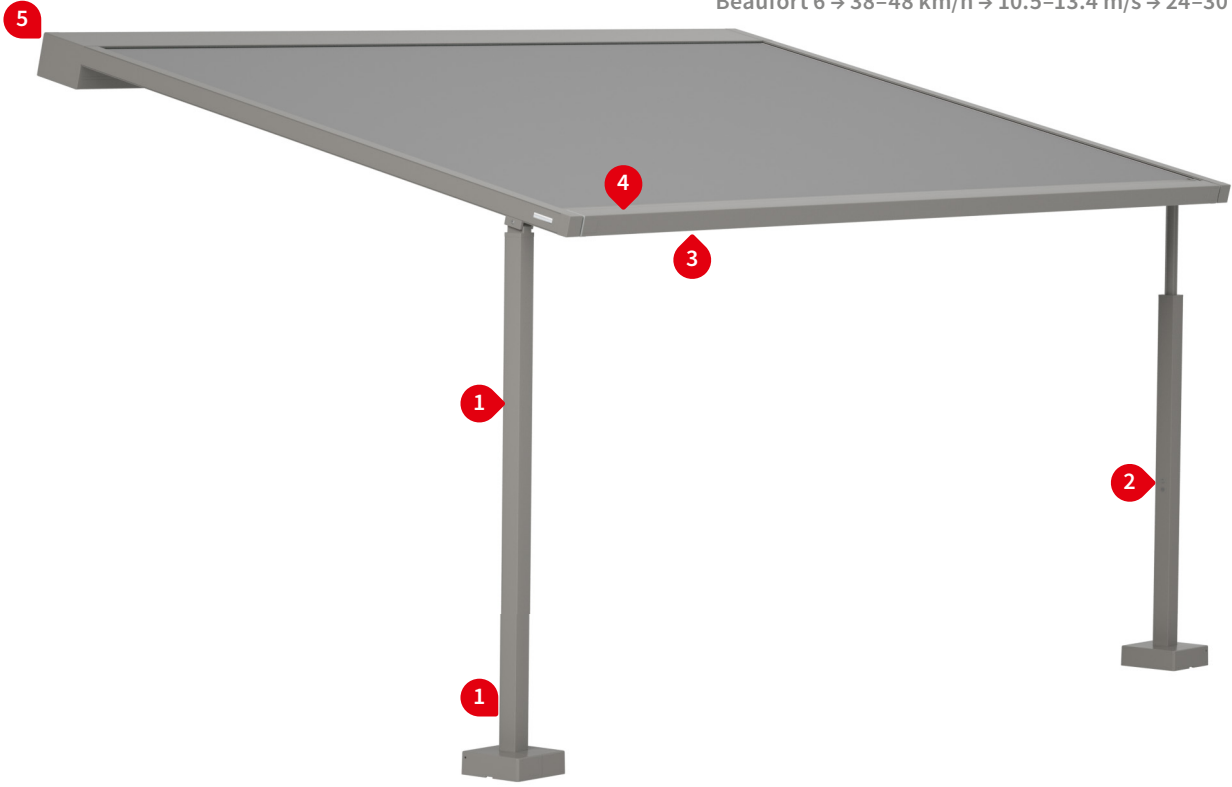
[markilux.com](https://www.markilux.com)

markilux
safe timeless beautiful

01
02
03
04
05
06
07

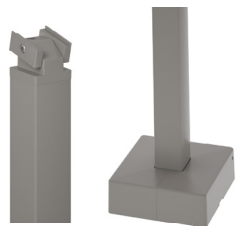
Product characteristics

Wind resistance class 3
Beaufort 6 → 38–48 km/h → 10.5–13.4 m/s → 24–30 mph

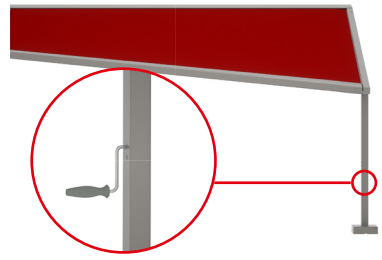


08

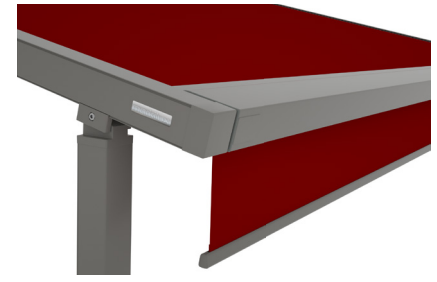
1 designed with square posts and baseplate cover (standard)



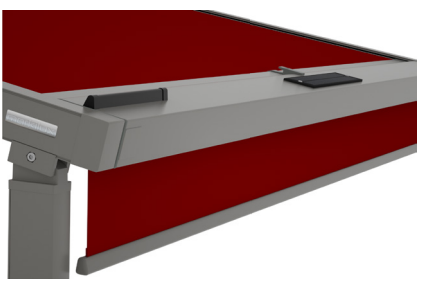
2 adjustable post ¹⁾ manual or motor-driven



3 shadeplus, during extension ¹⁾



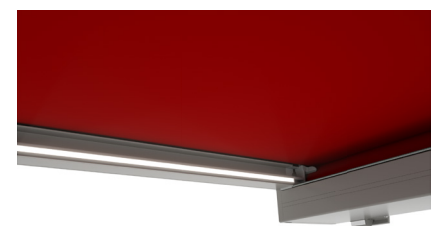
4 solar module sundrive, radio-controlled drop valance operation ¹⁾



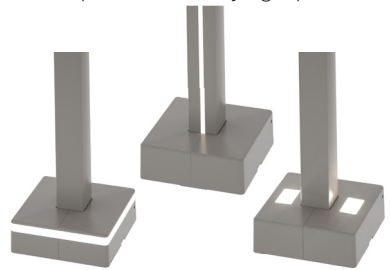
LED-Line in the cassette ¹⁾



LED-Line in the guide rails ¹⁾



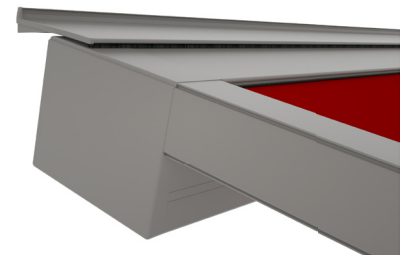
lighting options in the post / in the footplate cover (only rigid post) ¹⁾



support post with stabilisation box ¹⁾



5 wall sealing profile ¹⁾



¹⁾ Optional accessories

Product characteristics

Description

- Awning system with lateral guide tracks on posts, offers a projection of up to 6 metres and maximum 30 m² shading with one unit. Thanks to the tracfix cover guidance system, the sophisticated and reliable tensioning technology and its sturdy construction, the system can be used up to Beaufort 6 (wind resistance class 3).

Special features

- fully encompassing cassette that protects the cover perfectly
- tried-and-tested tensioning system with drive belts and integrated gas pistons – delivers optimum cover tension – in any phase of extension
- with tracfix system, the continuous lateral cover guidance system that leaves no gap between the cover and guide tracks
- various lighting combinations available: LED-Line RGB-WW in the guide tracks, in the cassette, in the rigid posts and LED-Line RGB-WW or LED-Uplights RGB-WW in the footplate cover of the rigid posts – fully integrated, individual lighting options for a pleasant atmosphere in the evening
- option of shadeplus – vertical protection against low-lying sun, wind and inquisitive glances integrated into the front profile, can be operated manually or solar driven by radio remote control
- systematic angular design with clean lines ensures screwless look with minimum view of technical details
- an optional telescopic post, manually operated, ensures water drainage, even at the low minimum pitch of 7°
- square posts, with screw-on footplate or stabilisation boxes for installation
- perfect in combination with markilux syncra and with optional post design 125 x 125 mm with rain gutter (on request) with vertical blinds markilux 776 tracfix, markilux 625 tracfix and markilux format triangular

Dimensions

- single unit: 122–600 cm in width, maximum extension 600 cm (depending on the width)
- maximum dimensions width × extension: 500 × 600 cm / 550 × 550 cm / 600 × 500 cm
- coupled units up to 5 fields wide are available
- intermediate sizes are available

Roller tube and lateral bearings

- round roller tube Ø 95 mm with keyway, galvanised steel – excellent stability, ensures near perfect cover performance even at the largest widths
- bearing die-cast aluminium cloth shaft

Awning profiles

- extruded aluminium, in façade quality, powder coated
- cassette profile in two pieces, angular, height × depth 160 mm × 205 mm
- angular guide tracks, 70 mm × 72 mm (coupling track 121 × 72 mm)
- front profile angular, 155 mm × 71 mm

Side caps

- the cassette end caps made of die-cast aluminium, powder coated
- guide track end caps made of die-cast aluminium, powder coated

Fixture brackets and support posts

- extruded aluminium, powder coated
- cassette holder: wall mounting, ceiling mounting, rafter mounting
- square posts 70 × 70 mm, standard height 250 cm, heights up to maximum 300 cm are available
- screw-on footplate 200 × 200 mm
- footplate cover 250 × 250 mm, height 80 mm, made of two pieces, is made of die-cast aluminium, corners rounded
- a version of the support posts with optional ballast box 600 × 600 mm x 525 mm (wxdxh), for versatile installation is available

Note: Additional information and accessory options can be found in the chapters "General information" and "markilux Accessories" in the sales manual "Designer Awnings for Conservatories, Glass Canopies and Windows".

01 **Frame colours**

markilux frame colours without surcharge

02

traffic white, RAL 9016

metallic aluminium, RAL 9006

grey brown, similar to RAL 8019

03

04

05

06

07

off-white textured finish, 5233 ¹⁾stone grey metallic, 5215 ¹⁾anthracite metallic, 5204 ¹⁾

08

havana brown textured finish, 5229 ¹⁾**Non-standard powder-coated finish**

Bespoke frame colours incur a surcharge – matt, metallic, finely textured and pearl finishes as well as other colour ranges (DB, Tiger etc.) on request. All frame colours are available at a surcharge with enhanced corrosion protection.

Colours may differ slightly from those depicted in both hue and finish.

¹⁾ textured finish

Dimensions and configuration options

Single unit

		Awning fixture width									Minimum fixture width		
		150 ¹⁾	200 ¹⁾	250 ¹⁾	300 ¹⁾	350	400	450	500	550	600	Hard-wired motor	Radio-controlled motor
Order dimensions		122 ²⁾	151	201	251	301	351	401	451	501	551	122 ²⁾	122 ²⁾
Overall awning width		150	200	250	300	350	400	450	500	550	600		
		+ 7											
H	150 ¹⁾												
	200 ¹⁾												
	250												
	300												
	350												
	400												
	450												
	500												
	550												
	600												

- 1) = only pergola with fixed posts
- 2) = 220 cm when fitted with shadeplus manual
270 cm in the cases of a shadeplus with sundrive
210 cm with two lighting options
300 cm from three lighting options

- = optionally available with 20 cm telescopic post
- = optionally available with 30 cm telescopic post
- = optionally available with 40 cm telescopic post

H = order dimension = projection

The minimum pitch that will ensure water drainage

	Projection				
	> 201 cm	≥ 201 ≤ 250 cm	≥ 251 ≤ 350 cm	≥ 351 ≤ 450 cm	≥ 451 cm
Unit with fixed posts, without shadeplus	14°	14°	14°	14°	14°
Unit with fixed posts, with shadeplus	17°	17°	17°	17°	17°
Unit with telescopic post, without / with shadeplus	-	7°	8°	9°	10°

In the case of markilux pergola style with a fixture width > 400 cm, there is a central water outlet in the cassette profile and in the standard front profile.

Operation	Standard	optional
crank handle	—	—
hard-wired motor	—	✓
silentec motor (optionally with external radio receiver io / RTS)	—	—
radio-controlled motor io, 868 MHz	✓	—
radio-controlled motor RTS, 433 MHz	—	—

Coupled awnings
2-5 fields, 1 motor per field
Alternatively 2 fields 1 motor / 3 fields 2 motors / 4 fields 2 motors
Maximum size per field: see "single unit" dimensions

General notes
Different field extensions are available in a coupled awning. The rolling up behaviour of the covers may vary in coupled awnings that have different field sizes. This does not effect the functionality of the awning or shorten the service life of the covers.
The option of having telescopic posts in awnings with 3-5 fields is only available on request.

Awning cover	fabric pattern no.	standard	optional
sunvas ¹⁾	300..-315..	✓	—
sunsilk ¹⁾	324.. / 328.. / 369..	✓	—
sunbow ¹⁾	411..-427..	✓	—
smart art ¹⁾	340..	—	✓
perla FR ¹⁾	371.. / 372..	—	✓
perfotex ¹⁾	331.. / 332..	✓	—
Soltis Perform 92 ²⁾	92-..	—	✓

Standard fabric panel widths

- 1) 120 cm
- 2) 88,5 cm

Drop valance ^{1) 2)}	standard	optional
Height 230 cm (crank handle, depending on the fabric series chosen)	—	—
Height 210 cm (motor operation, depending on the fabric series chosen)	—	—
crank handle	✓	—
hard-wired motor	—	—
radio-controlled motor, 868 MHz, io with sundrive including a radio antenna	—	✓
fabric pattern sunvas / sunsilk / sunbow / transolair / vuscreen Alu / Soltis Perform 92 / glass fibre screen Serge 600		

- 1) Shadeplus cover is narrower than the awning cover
- 2) In the case of coupled awnings, available for all fields only

Optional accessories

- adjustable posts, manual or motor-driven
- posts with stabilisation boxes
- shadeplus, radio remote control with solar module sundrive or manual
- LED-Line RGB-WW in the guide tracks on both sides
- LED-Line RGB-WW in the cassette
- LED-Line RGB-WW in the posts¹⁾
- LED-Line RGB-WW / LED-Uplights in the base covers¹⁾
- infrared heater 2500 W
- infrared heater 2500 W with integrated radio-controlled receiver 868 MHz radio-controlled io
- wall sealing profile
- several motors in a coupled awning, can be operated independently
- automatic controls (sun, wind, rain)
important background information can be found in the chapter "Optional Accessories" in the sales manual "Designer Awnings for Conservatories, Glass Canopies and Windows"
- rain gutter fixed permanently to posts with integrated water draining, optionally with a vertical markilux solar protection (also with a foil window) at the side and/or front²⁾
- combination with markilux syncra²⁾
- accessories for fixing with screw-in foundations²⁾

1) Only available with rigid posts

2) Optionally available for single- and multiple-unit awnings. Price provided on request.

markilux shadeplus**Tips for selecting a shadeplus fabric**

Ideally, a shadeplus cover should be made **seamlessly** or with horizontal panels (the cover then has a **horizontal seam**) in order to achieve the best result.

Seamless fabric qualities are: sunvas oversized material and transolair series 338.. Fabric qualities with a horizontal seam are: plain fabrics from the sunsilk, sunvas, sunbow collections and transolair series 339.. as well as from the Soltis Perform 92 series.

Owing to the small winding diameter, the rolling up characteristics and the resulting visual appearance of the cover, shadeplus covers made with vertical seams are not recommended.

Shadeplus with radio-controlled motor io¹⁾

Shadeplus fabric	fabric pattern no.	standard	optional	Awning fixture width	height	tailored cloth
sunvas	309..-315..	✓	—	≤ 600 ≤ 600	160 210	LN QN
sunsilk	324.. / 328.. / 369..	✓	—	≤ 600 ≤ 600	160 210	LN QN
sunbow	411..-427..	✓	—	≤ 600 ≤ 600	100 210	LN QN
sunvas (250 cm)	31008, -09, -13, -16, -18, -27, -28, -31, -37, -57, -58, 31109, -14, -17	✓	—	≤ 600	210	N
smart art	340..	—	—			
perla FR	371.. / 372..	—	—			
perfotex	331.. / 332..	—	—			
transolair	338..	—	✓	≤ 600	210	N
transolair (120 cm)	339..	—	✓	≤ 600	210	QN
vuscreen Alu	317..	—	✓	≤ 600	160	N
Soltis Perform 92	92-..	—	✓	≤ 493	210	QN
glass fibre screen Serge 600	272..	—	✓	≤ 600	210	N

1) Only available in plain seamless fabrics (oversized, fabric width >120 cm) or in plains with a horizontal joint (fabric width 120 cm).

N = Seamless

LN = Vertical panel joints, panel width approx.60 cm

QN = Horizontal seam(s)

Dimensions and configuration options

Coupled unit, 2 fields

		Awning fixture width						
		600	700	800	900	1000	1100	1200
Order dimensions		551	601	701	801	901	1001	1101
		600	700	800	900	1000	1100	1200
Overall Awning width		+ 7						
H	150							
	200							
	250							
	300							
	350							
	400							
	450							
	500							
	550							—
	600						—	—

01
02
03
04
05
06
07
08

Coupled unit, 3 fields

		Awning fixture width												
		600	700	800	900	1000	1100	1200	1300	1400	1500	1600	1700	1800
Order dimensions		551	601	701	801	901	1001	1101	1201	1301	1401	1501	1601	1701
		600	700	800	900	1000	1100	1200	1300	1400	1500	1600	1700	1800
Overall Awning width		+ 7												
H	150													
	200													
	250													
	300													
	350													
	400													
	450													
	500													
	550												—	—
	600											—	—	—

N.B.: The option of having adjustable posts in awnings of 3–5 units is only available on request. Coupled unit not available with a continuous cassette.

H = order dimension = projection

dimensions in cm

01 Lighting options

02

03

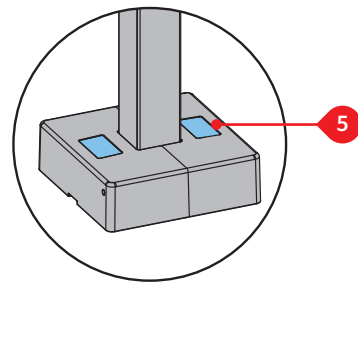
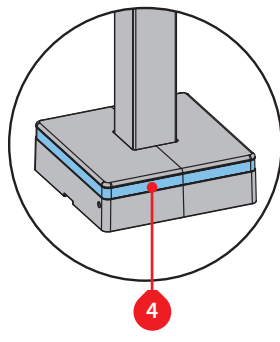
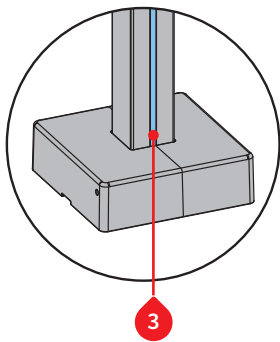
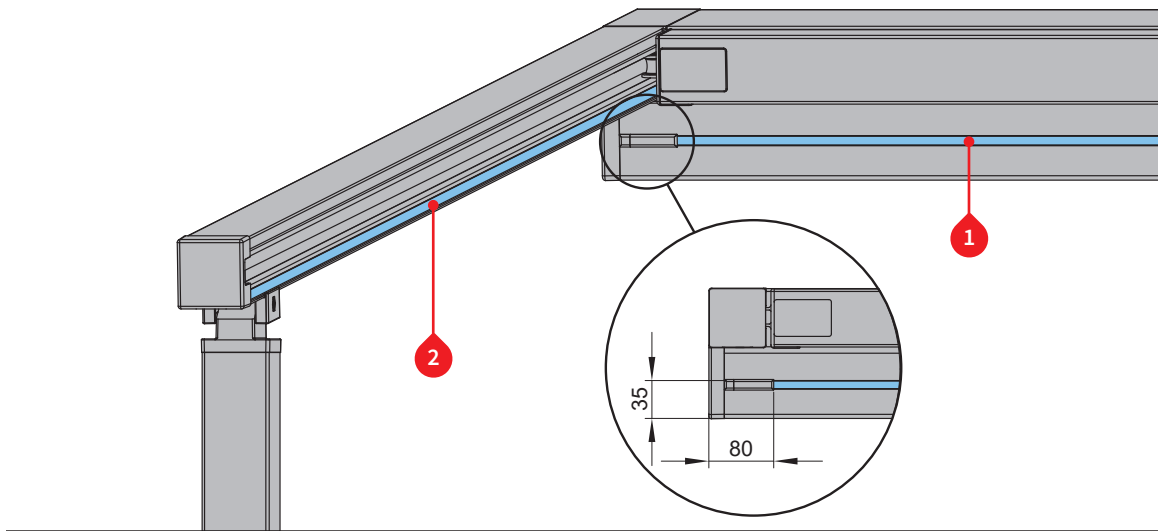
04

05

06

07

08



Lighting options

- 1 LED Line in the cassette ¹⁾
- 2 LED-Line in the guide tracks, on both sides ¹⁾
- 3 LED-Line in the posts, on both sides ^{1) 3)}
- 4 LED-Line in the baseplate covers, on both sides ^{1) 2) 3)}
- 5 LED-Uplights in the baseplate covers, on both sides ^{1) 2) 3)}

- 1) Can be controlled as an individual lighting group
- 2) LED-Line and LED-Uplights cannot be combined with each other
- 3) Only available for rigid posts

Controls

	standard	optional
radio-controlled io (868 MHz)	—	✓
Zigbee	—	✓

Lighting options

1, 2 and 3 LED Line in the cassette / in the guide tracks / in the posts

Technical specification

Operating voltage	230 V, 50 Hz
power output per metre	11 W / m
Light source	LED (24 V)
number of LEDs	144 units / m
Number of transformers	1 unit
light temperature	RGB colour light change and warm white
IP protection class	IP 44
Service life	approx. 15.000 h

4 LED-Line in the baseplate covers

Technical specification

Operating voltage	230 V, 50 Hz
power output per metre	12 W
Light source	LED (24 V)
number of LEDs	96 unit
Number of transformers	1 unit
light temperature	RGB colour light change and warm white
IP protection class	IP 44
Service life	approx. 20.000 h

5 LED-Uplights in the baseplate covers

Technical specification

Operating voltage	230 V, 50 Hz
Power output Uplights	16 W
Light source	LED (24 V)
Number of transformers	1 unit
light temperature	RGB colour light change and warm white
IP protection class	IP 44
Service life	approx. 20.000 h

N.B!

Awning with rigid posts:

A lighting option is always delivered for all posts of the markilux pergola style.

Awning with adjustable post and rigid post:

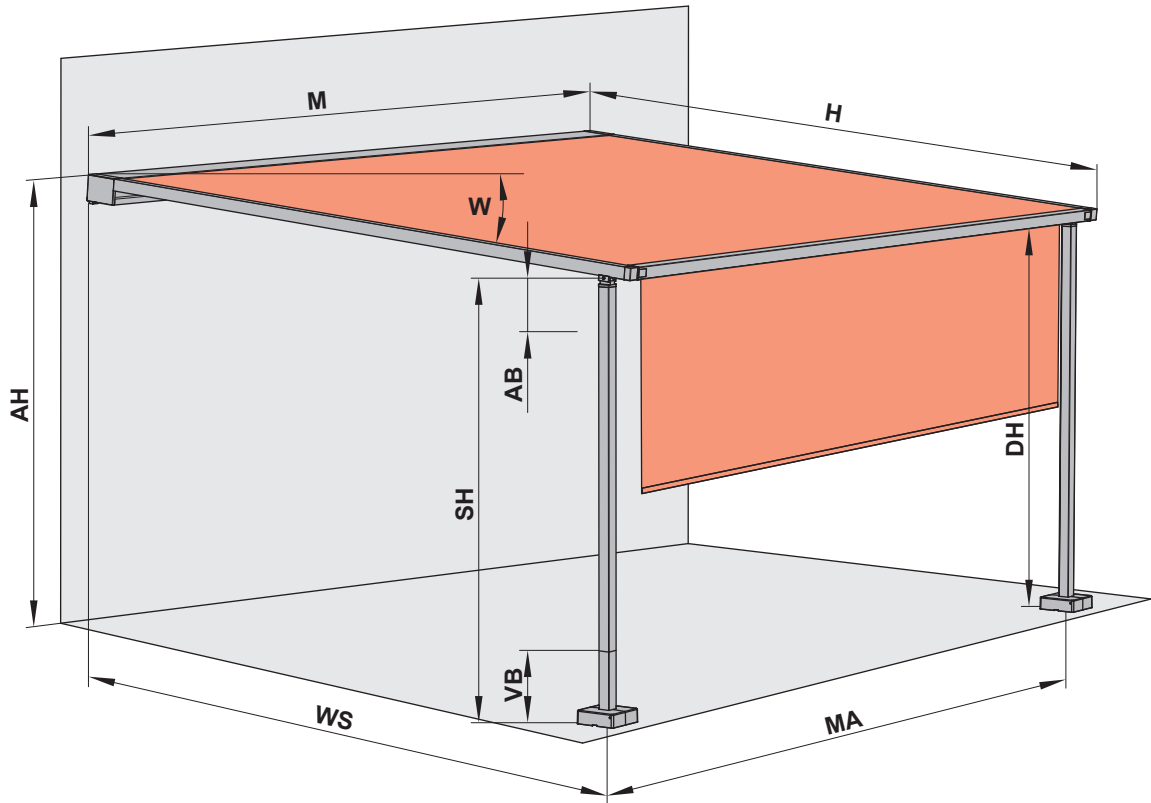
The rigid post of the awning can only be fitted with lighting with an adjustable post - there is no lighting option for this.

LED-Line / LED-Uplights in the base covers can only be delivered for posts with standard footplate (central post).

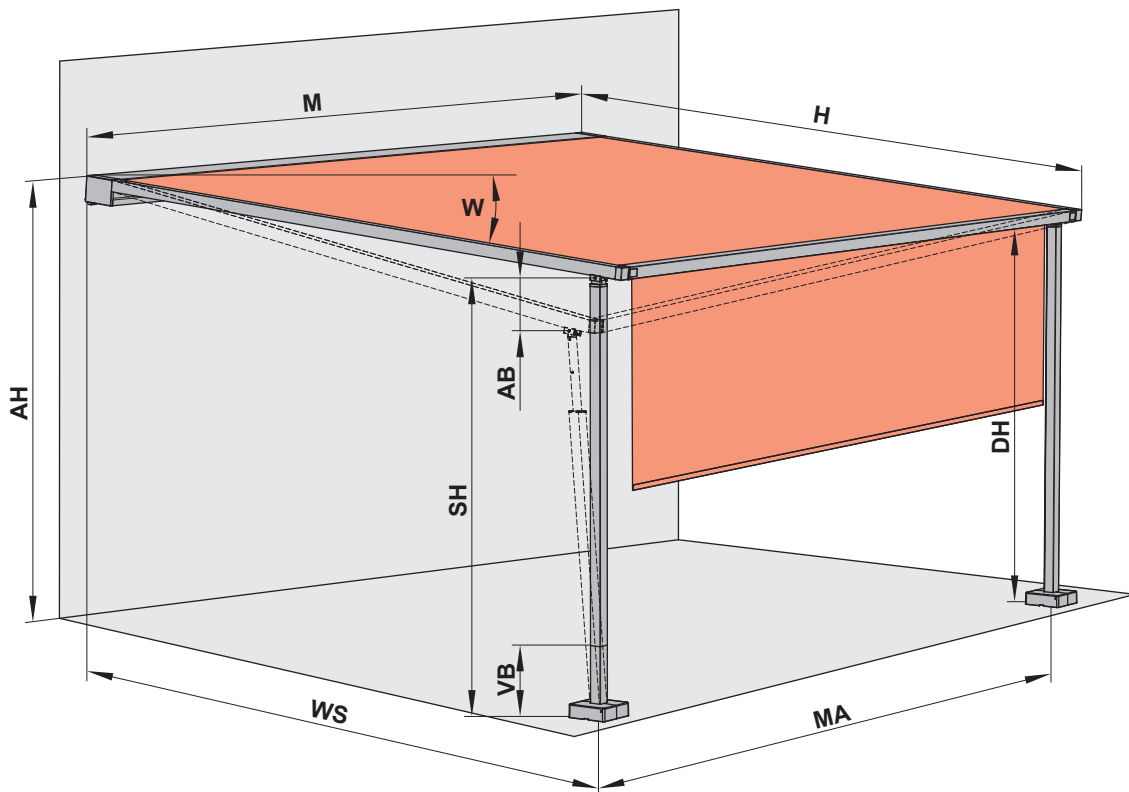
01
02
03
04
05
06
07
08

Overview of dimensions

pergola with fixed posts¹⁾ – support post fixture to a concrete footing



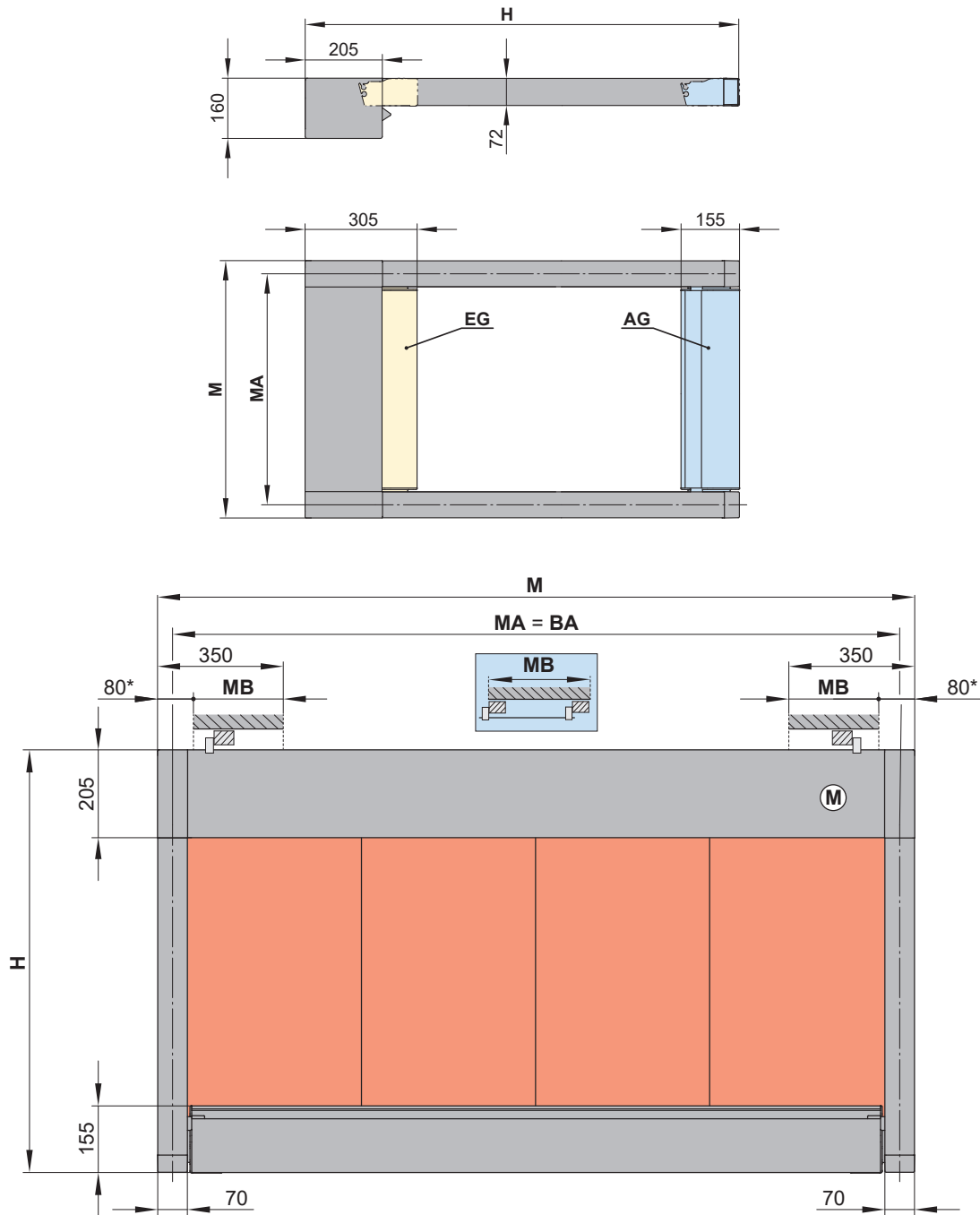
pergola with telescopic post¹⁾ – support post fixture to a concrete footing



1) Optional with shadeplus

Overview of dimensions

Single unit

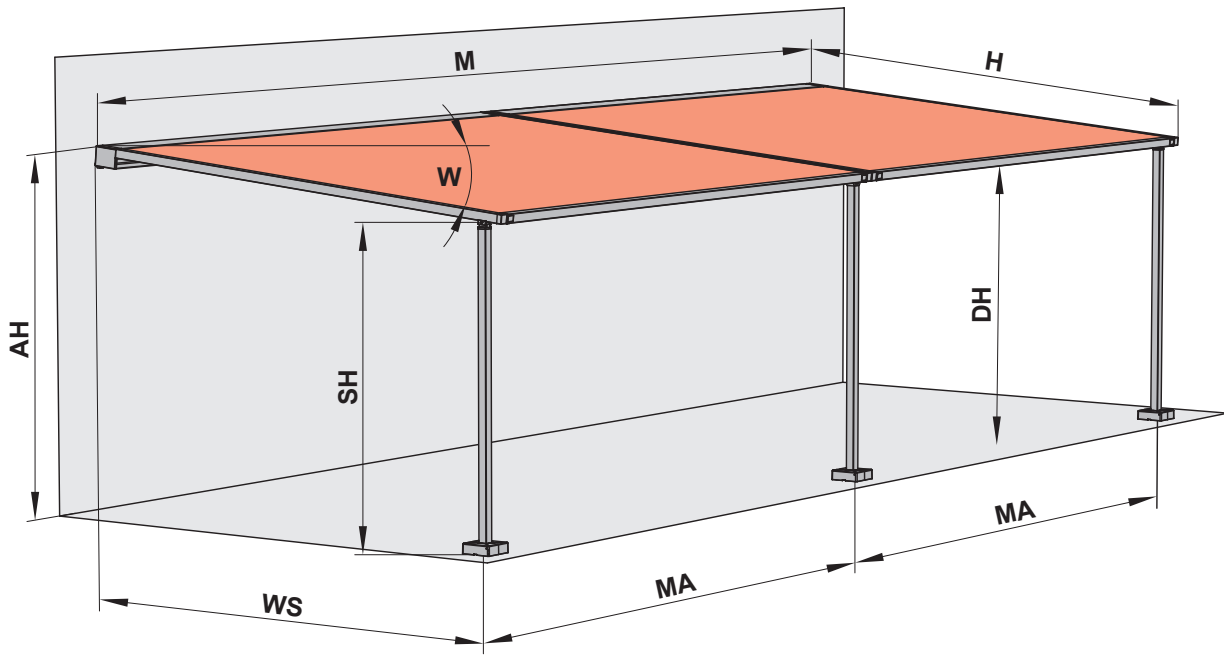


- * = dimensions fixture range
- AG = extended
- AH = adjustment range of a post 200 mm, 300 mm or 400 mm (depending on the size)
- BA = **order dimension** = width between fixture points = awning fixture width
- DH = headroom
- EG = retracted
- H = **order dimension** = projection
- M = overall awning width = $MA + 7$ cm
- (M) = operation side, motor drive
- MA = **order dimension** = awning fixture width
- MB = bracket fixture range
- SH = support post height
- VB = height adjustment
- W = pitch
- WS = distance from wall \leftrightarrow support post centre

dimensions in mm

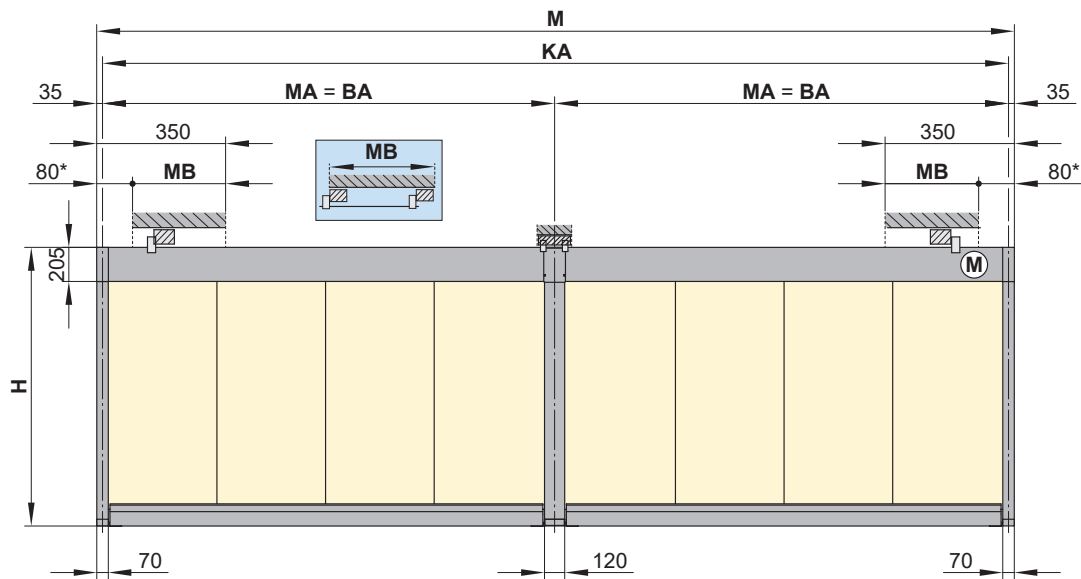
01 Overview of dimensions

02 Coupled awnings



08

Coupled unit, 2 fields, 1 motor

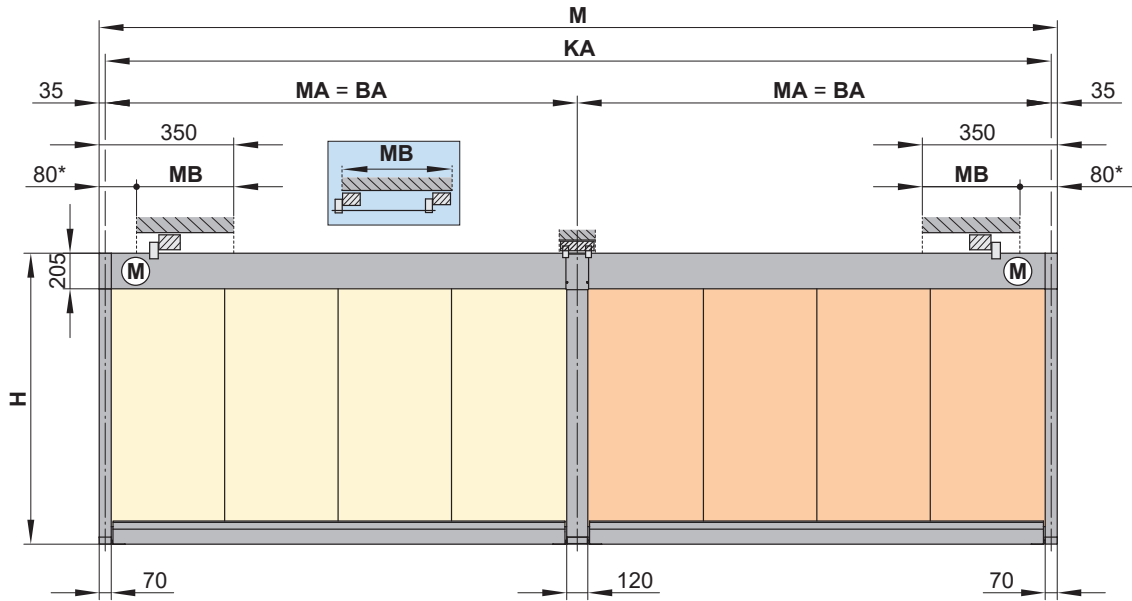


- * = dimensions fixture range
- AH = fixture height
- BA = **order dimension** = width between fixture points = awning fixture width
- DH = headroom
- F3 = concrete foundation. Please refer to the section "Concrete foundations"
- H = **order dimension** = projection
- KA = coupled awning
- M = overall awning width = MA + 7 cm
- (M) = operation side, motor drive
- MA = **order dimension** = awning fixture width
- MB = bracket fixture range
- SH = **order dimension** = support post height, standard height 2500 mm (special heights on request)
- VB = height adjustment 50 mm (adjustable post 40 mm)
- W = pitch
- WS = distance from wall ↔ support post centre

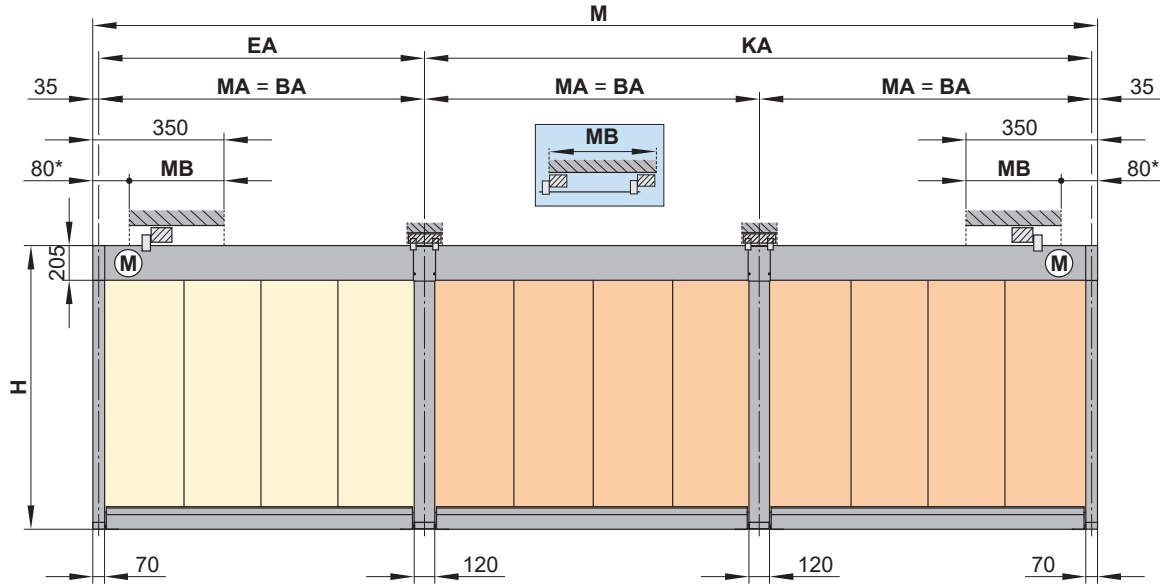
dimensions in mm

Overview of dimensions

Coupled unit, 2 fields, 2 motors



Coupled unit, 3 fields, 2 motors



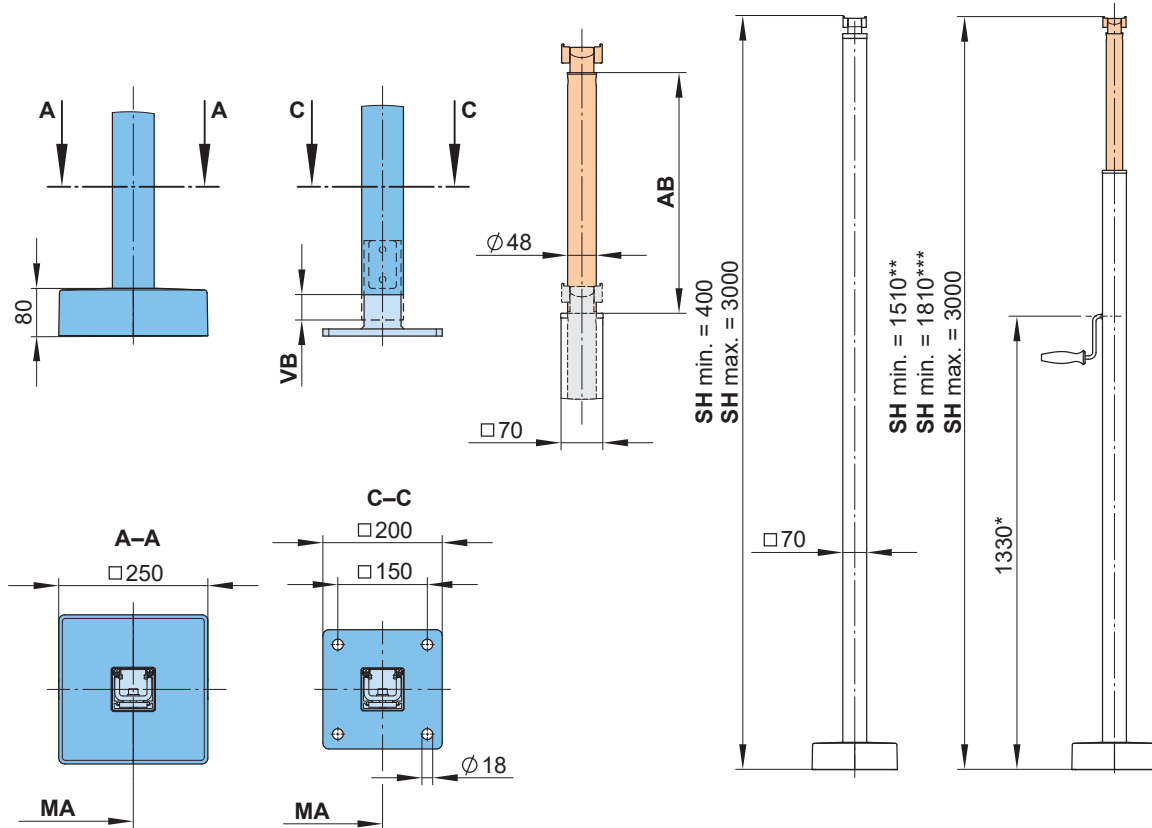
- * = dimensions fixture range
- BA = **order dimension** = width between fixture points = awning fixture width
- EA = single unit
- H = **order dimension** = projection
- KA = coupled awning
- M = overall awning width = MA + 7 cm
- Ⓜ = operation side, motor drive
- MA = **order dimension** = awning fixture width
- MB = bracket fixture range

dimensions in mm

01
02
03
04
05
06
07

Post dimensions

Square support post with footplate standard (not adjustable / adjustable)

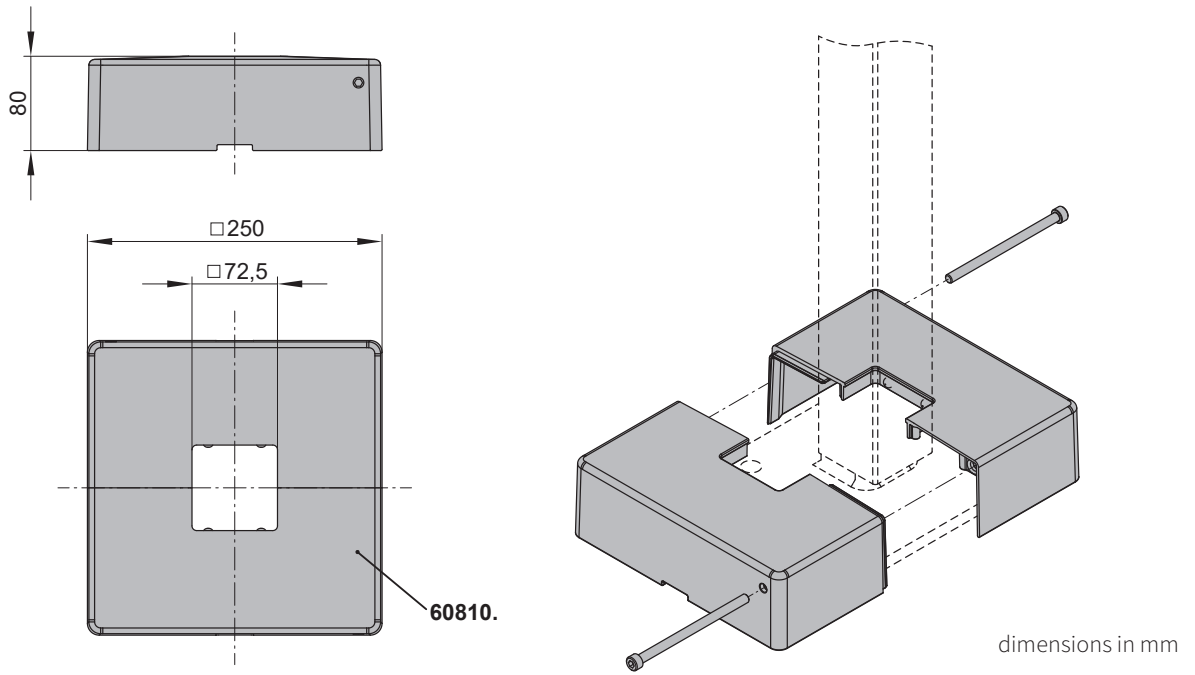


08

- * = dimensions at the standard height
- *** = dimensions at manual operation
- ** = dimensions at motor operation
- AB = adjustment range of a post 200, 300 or 400. For more detailed information please refer to "Dimensions and configuration options"
- VB = height adjustment 50 mm (adjustable post 40 mm)
- MA = **order dimension** = awning fixture width = fixture width
- SH = **order dimension** = post height (standard 250 cm)

dimensions in mm

Footplate cover

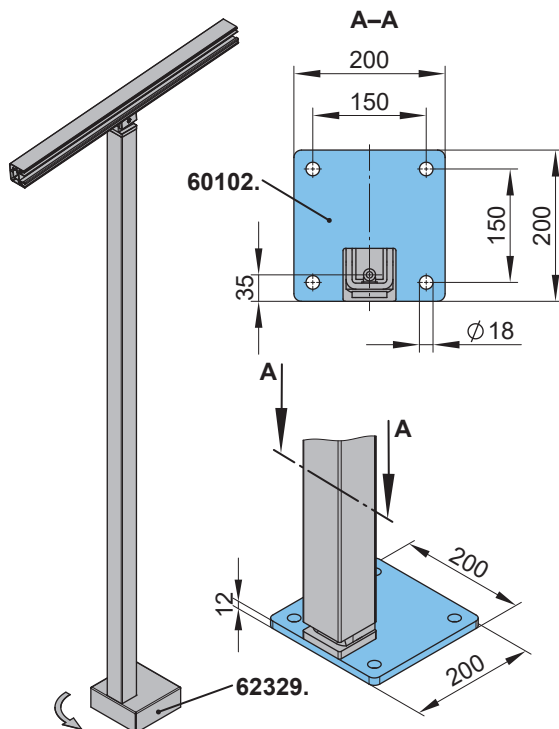


01
02
03
04
05
06
07
08

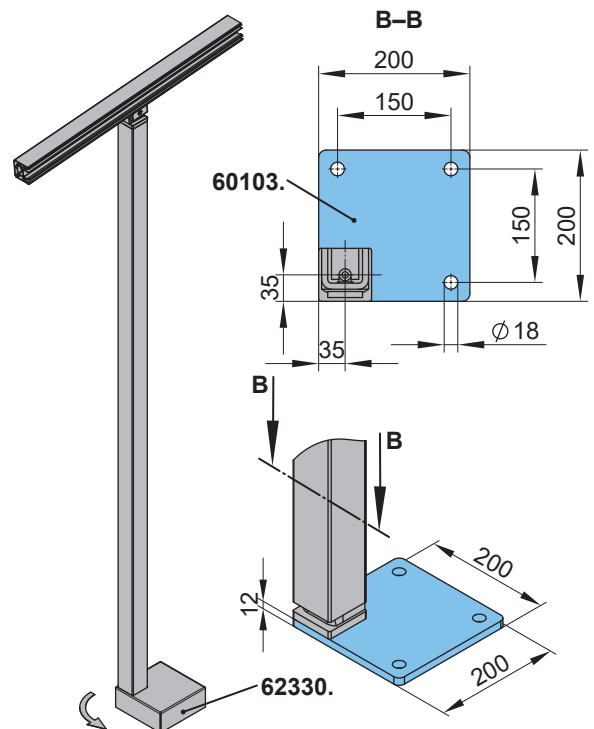
Post with optional footplate

(Example: left-hand post)

Footplate for post position sideways in the middle



Footplate for post position in the corner



- 60102. = footplate post position sideways in the middle
- 60103. = footplate post position in the corner
- 60810. = footplate cover post position in the middle
- 62329. = footplate cover post position sideways in the middle
- 62330. = footplate cover post position in the corner

dimensions in mm

01 **Footplate cover for optional footplate**

02 Footplate cover for post position sideways in the middle

Footplate cover for post position in the corner

03

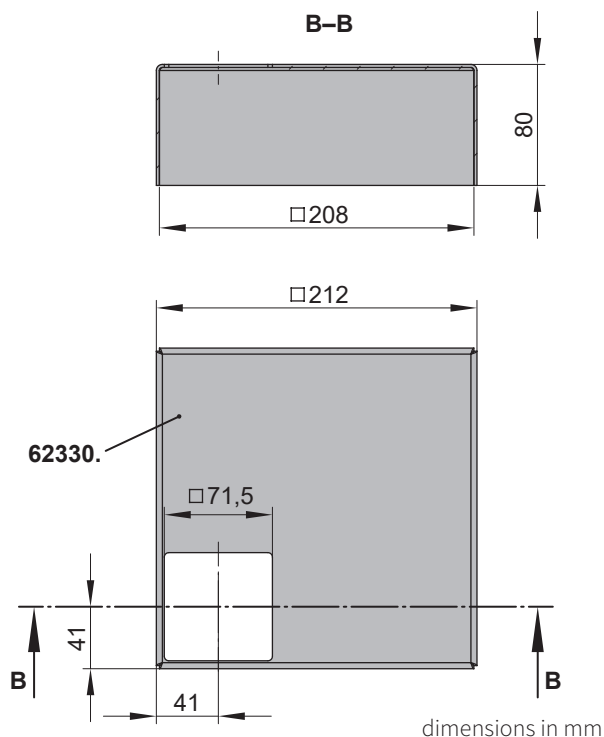
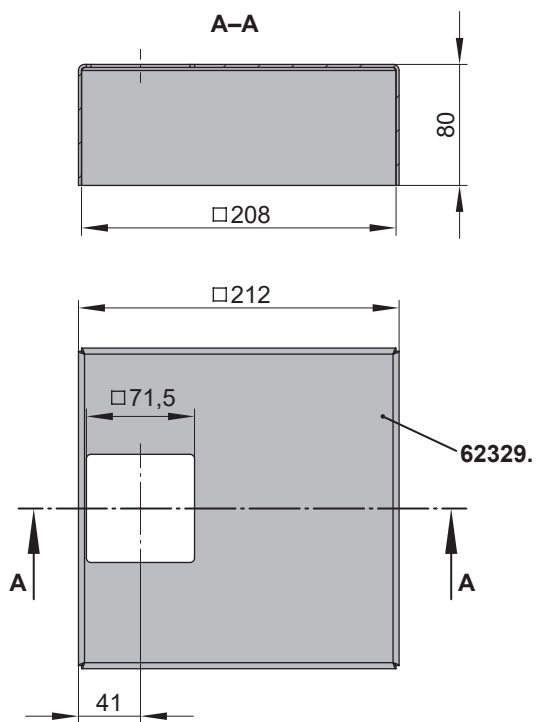
04

05

06

07

08

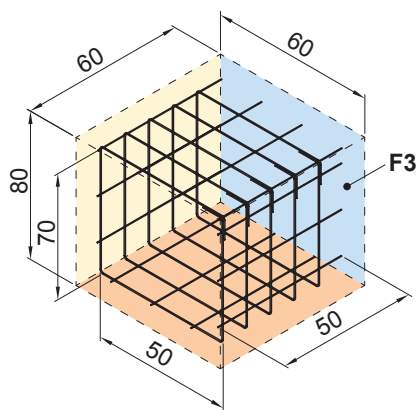


Concrete foundations

To be supplied on site:

Concrete foundations in compressive strength C25/30 (previously B25) with reinforcing mesh cage made of 6 pcs steel rebar \varnothing 6 mm.

F3



The footplates **F3** are to be fitted to the **concrete footings** using Fischer marine-grade stainless steel anchor bolts FAZ 10/30 aus A4 and washers certified to DIN 9021 (or equivalent).

62329. = footplate cover post position sideways in the middle

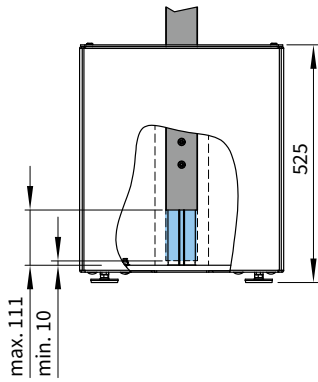
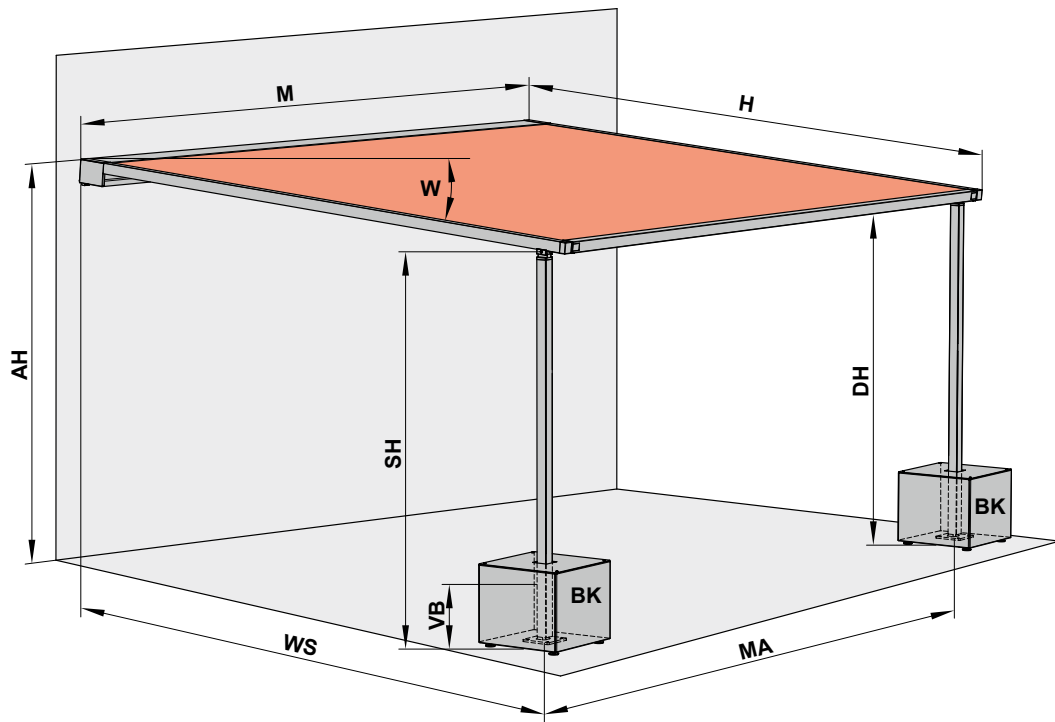
62330. = footplate cover post position in the corner

dimensions in cm

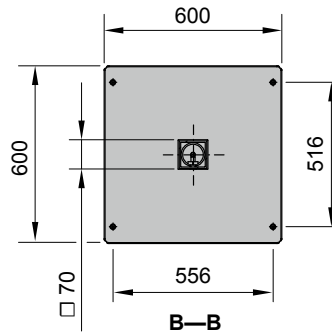
Overview of dimensions

pergola – support posts with stabilisation boxes

01
02
03
04
05
06
07
08



Square posts



On site, every stabilisation box must be filled with at least 150 kg of ballast.

- AH** = fixture height
 - BK** = stabilisation box
 - DH** = headroom
 - H** = **order dimension** = projection
 - M** = overall awning width = **MA** + 7 cm
 - MA** = **order dimension** = awning fixture width = fixture width
 - SH** = **order dimension** = post height
 - VB** = height adjustment 50 mm (adjustable post 40 mm)
 - W** = pitch
 - WS** = distance from wall ↔ support post centre
- dimensions in mm

01 **Overview of dimensions**

02 pergola – support posts with ballast boxes, coupled unit

03

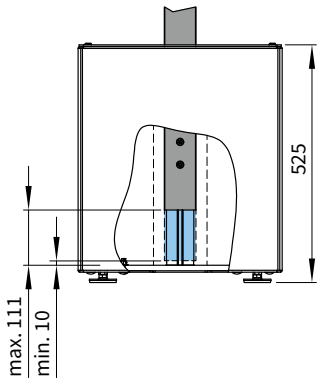
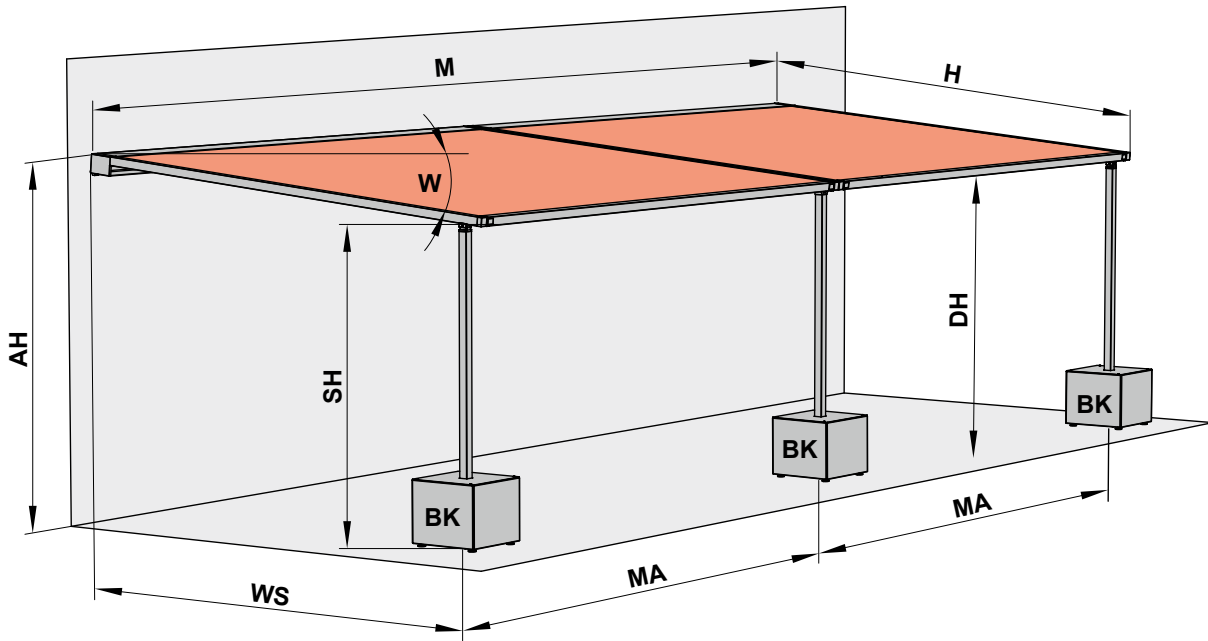
04

05

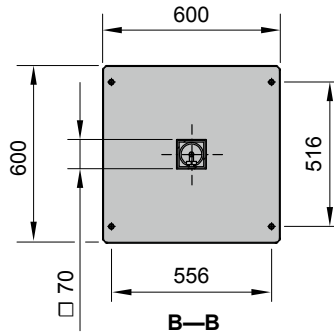
06

07

08



Square posts



On site, every stabilisation box must be filled with at least 150 kg of ballast.

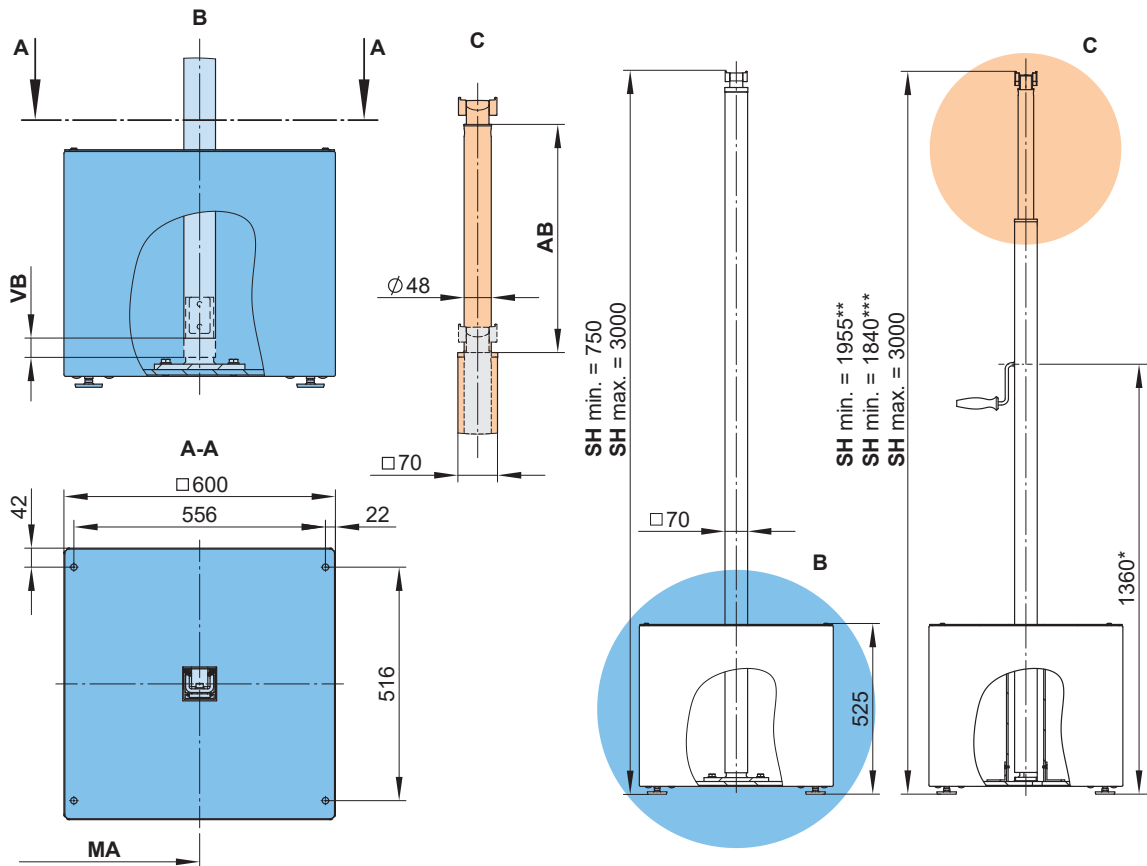
- AH = fixture height
- BK = stabilisation box
- DH = headroom
- H = **order dimension** = projection
- M = overall awning width = MA + 7 cm
- MA = **order dimension** = awning fixture width = fixture width

- SH = **order dimension** = post height
- VB = height adjustment 50 mm (adjustable post 40 mm)
- W = pitch
- WS = distance from wall ↔ support post centre

dimensions in mm

Post dimensions

Square support post with stabilisation box (not adjustable / adjustable)



On site, every stabilisation box must be filled with at least 150 kg of ballast.

- * = dimensions at the standard height
- ** = dimensions at manual operation*
- *** = dimensions at motor operation
- AB = adjustment range of a post 200, 300 or 400. For more detailed information please refer to "Dimensions and configuration options"
- VB = height adjustment 50 mm (adjustable post 40 mm)
- MA = **order dimension** = awning fixture width = fixture width
- SH = **order dimension** = support post height, standard height 2500 mm (special heights on request)

dimensions in mm

01 **Fixtures, fittings and accessories**

02

03

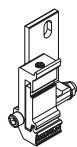
04

05

06

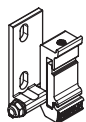
07

08



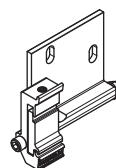
face fixture bracket
left
pitch adjustment
range 0°–35°

60569.



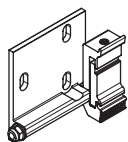
face fixture bracket
right
pitch adjustment
range 0°–35°

60570.



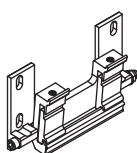
face fixture wide
left
pitch adjustment range
0°–35°

60615.



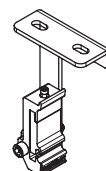
face fixture wide
right
pitch adjustment range
0°–35°

60616.



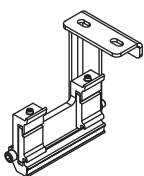
coupling bracket
face fixture
pitch adjustment
range 0°–35°

62362.



top fixture cassette
bracket right / left
pitch adjustment range
5°–20°

60577.



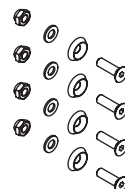
coupling bracket
top fixture
pitch adjustment
range 0°–35°

62364.



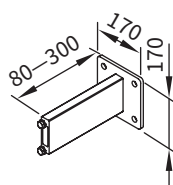
eaves fixture bracket

77010.



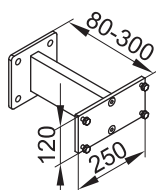
accessories for two
eaves fixture brackets
77010.

767281



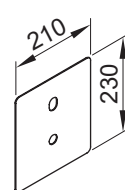
stand-off bracket
for face fixture bracket
80–300 mm
incl. insulating element

77967.



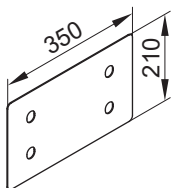
stand-off bracket
for coupling bracket
length min. 90 mm up to
max. 300 mm
incl. insulating element

62366.



cover plate
for spacer plate and
stand-off brackets in
the case of external
insulation
210 × 230 × 2 mm

71844.



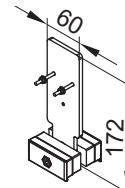
cover plate
for installation with
stand-off bracket in
the case of external
insulation
210x350x2 mm

62375.



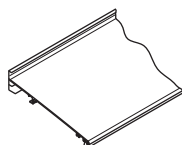
bracket for light and
wind sensor somfy io

62368.



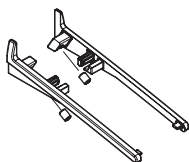
bracket for light, wind
and rain sensor

62369.



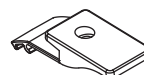
wall sealing profile
incl. brush seal
by the metre

76385. and 704241.



side cover
wall sealing profile
left and right

60919. and 60920.

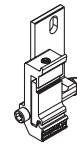
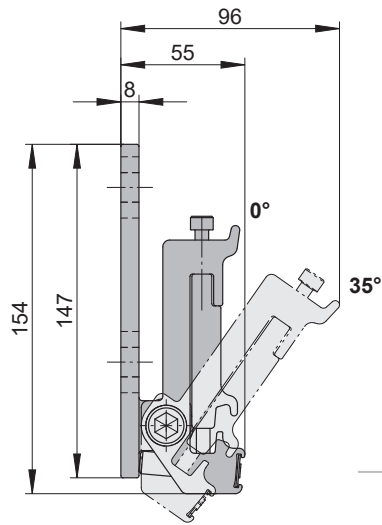
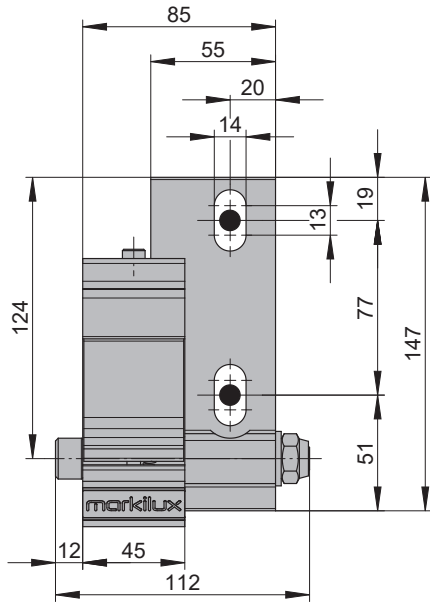


storm safety clip

62337.

Face fixture

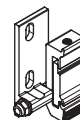
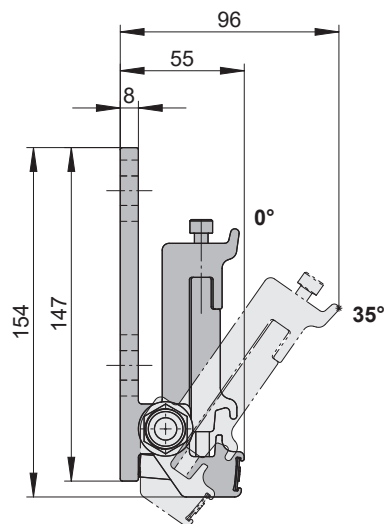
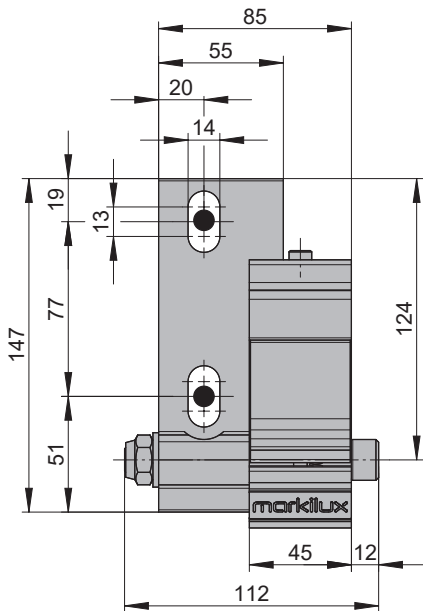
Face fixture cassette bracket, left



face fixture bracket
left
pitch adjustment
range 0°–35°

60569.

Face fixture cassette bracket, right



face fixture bracket
right
pitch adjustment
range 0°–35°

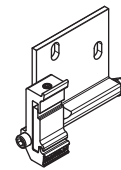
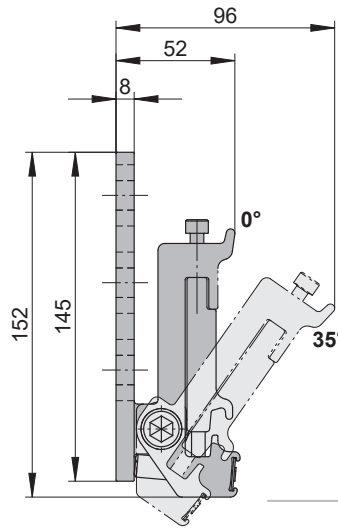
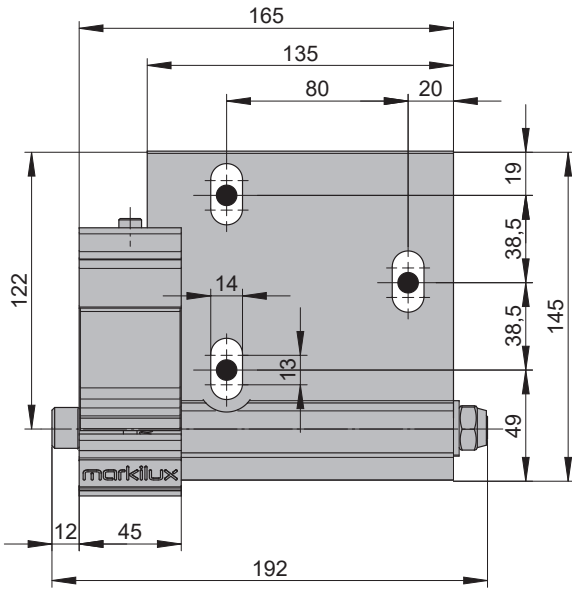
60570.

dimensions in mm

01
02
03
04
05
06
07
08

Face fixture

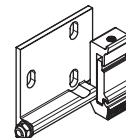
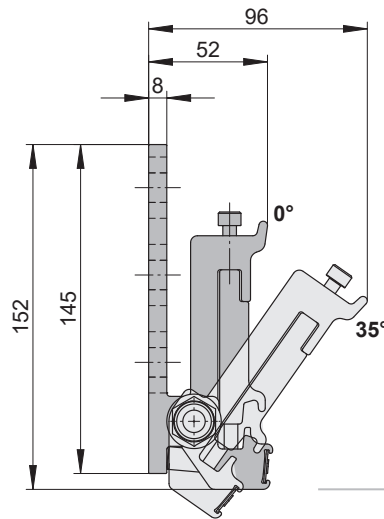
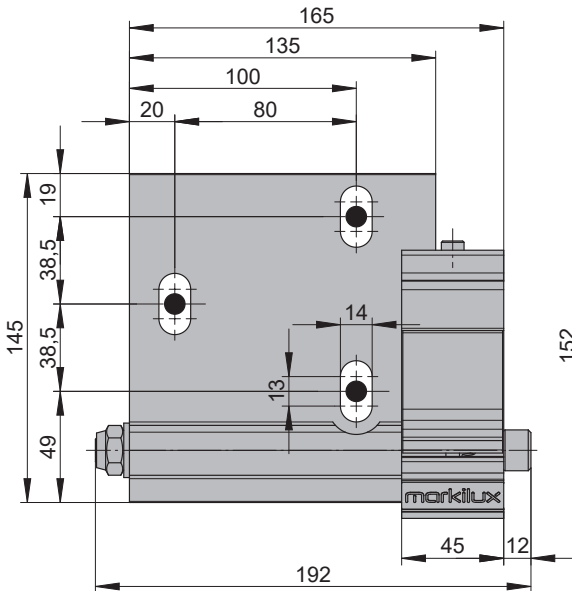
Face fixture cassette bracket, wide, left



face fixture wide
left
pitch adjustment range
0°-35°

60615.

Face fixture cassette bracket, wide, right



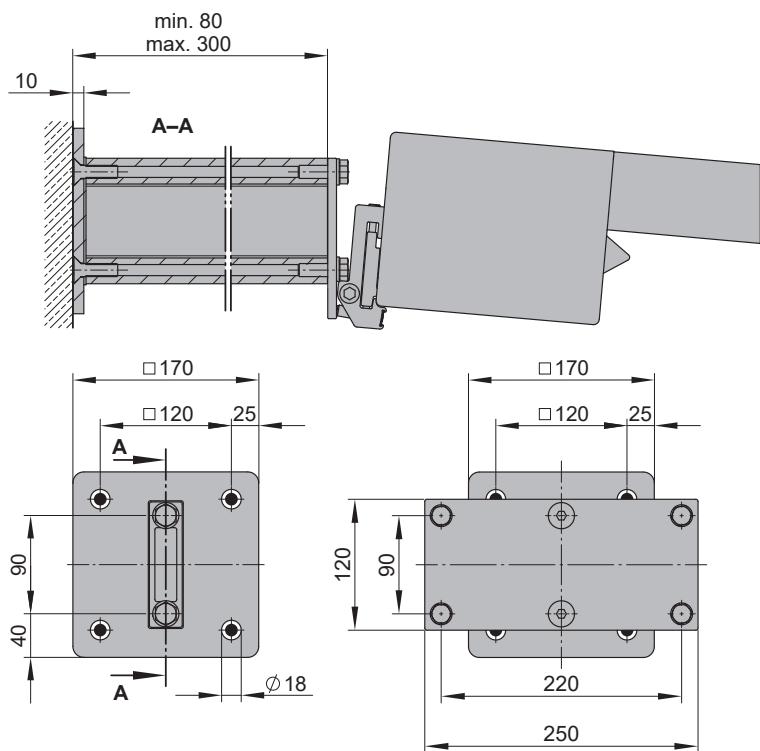
face fixture wide
right
pitch adjustment range
0°-35°

60616.

dimensions in mm

Face fixture

Face fixture using stand-off brackets



stand-off bracket
for face fixture bracket
80-300 mm
incl. insulating element

77967.

stand-off bracket
for coupling bracket
length min. 90 mm up to
max. 300 mm
incl. insulating element

62366.

cover plate
for spacer plate and
stand-off brackets in
the case of external
insulation

210 × 230 × 2 mm

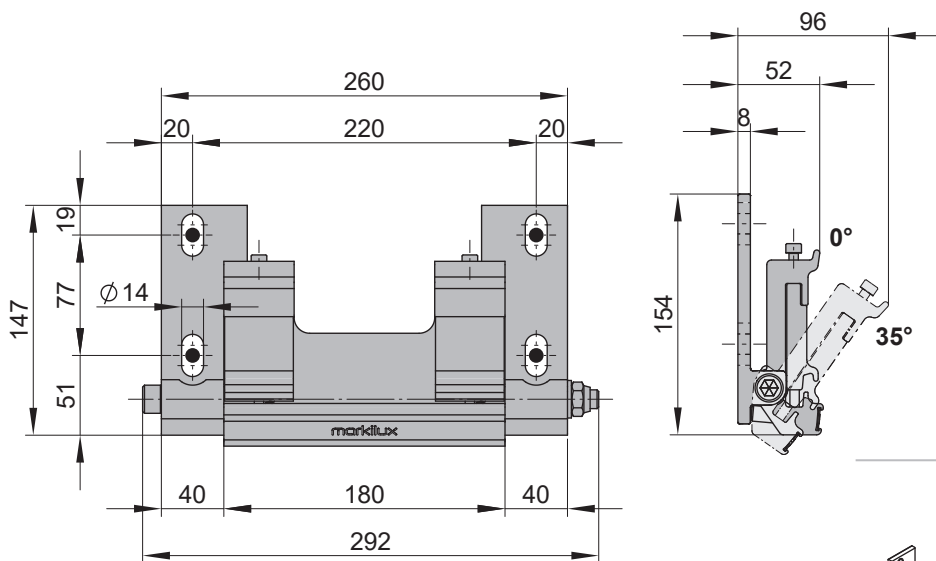
71844.

cover plate
for installation with
stand-off bracket in
the case of external
insulation

210 × 350 × 2 mm

62375.

Coupling cassette bracket (central in coupled units)



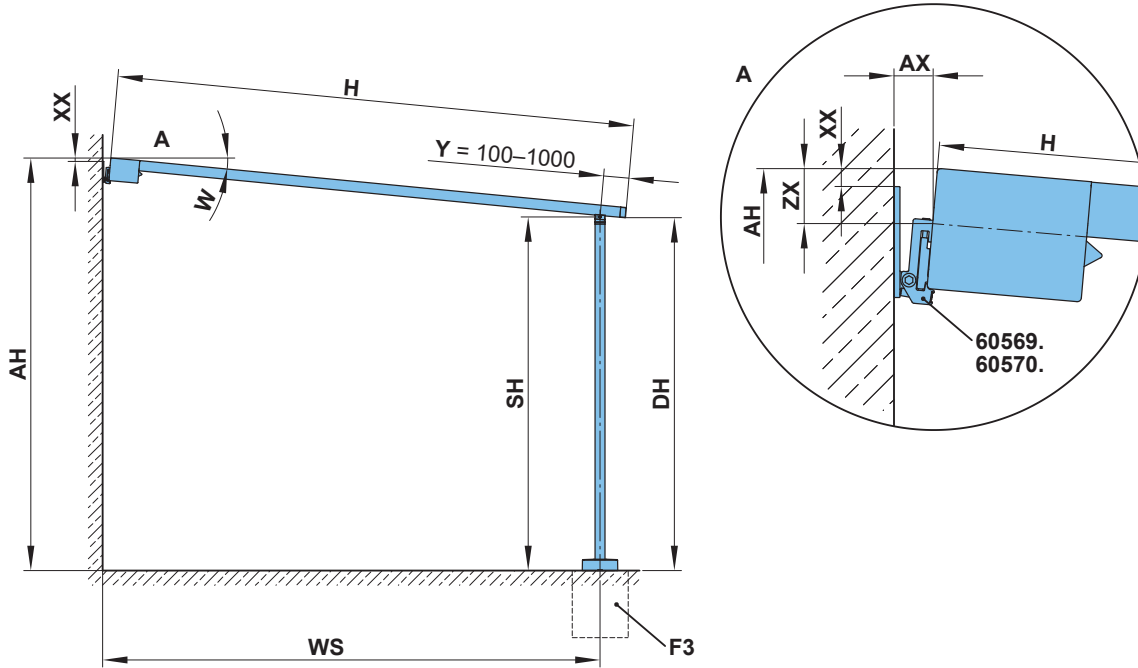
coupling bracket
face fixture
pitch adjustment
range 0°-35°

62362.

dimensions in mm

01 **Face fixture**

02 Dimension overview support post with footplate

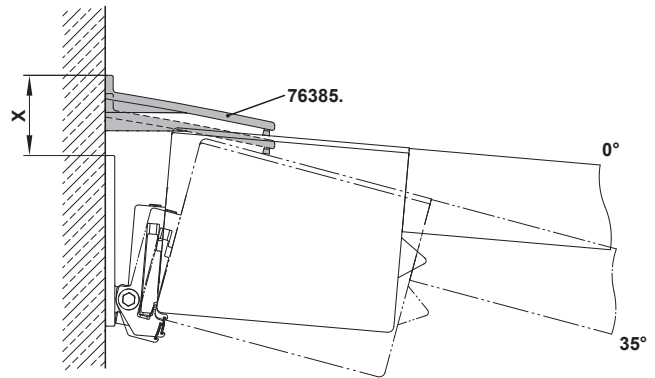


03
04
05
06
07
08

W	AX	XX	ZX
0°	45	27	73
5°	51	24	72
10°	58	19	70
15°	64	14	69
20°	70	8	66
25°	76	0	64
30°	81	-8	61
35°	85	-14	58

dimensions in mm

Face fixture with wall sealing profile



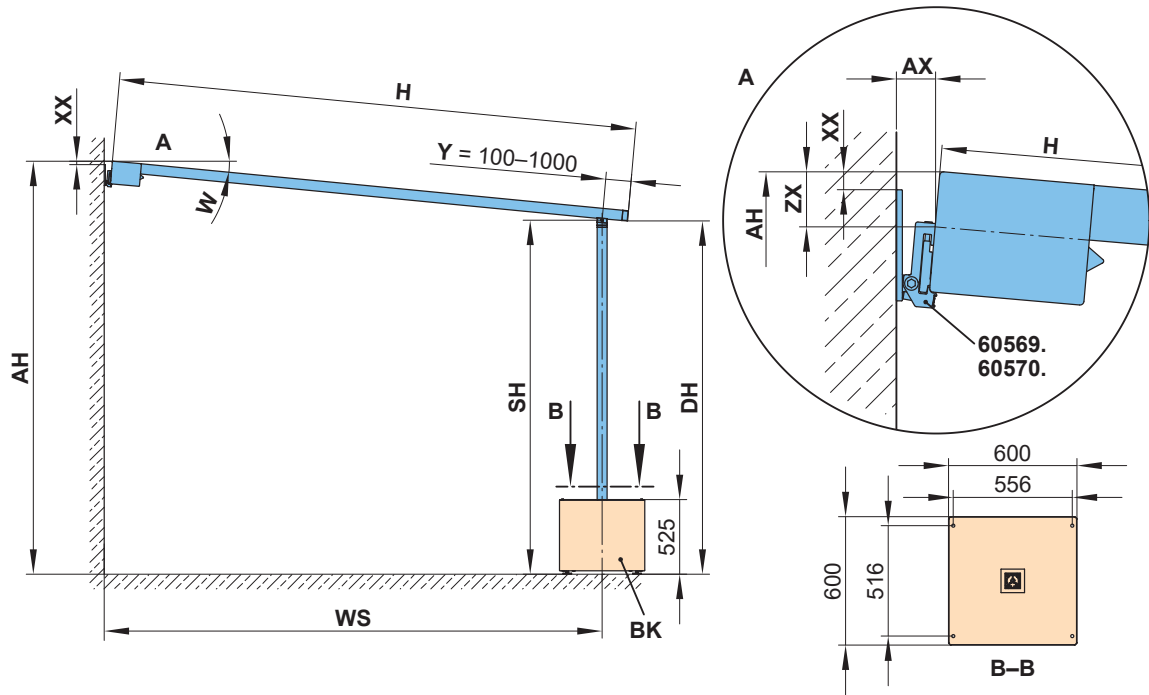
W	X
0°	79
5°	69
10°	60
15°	52
20°	45
25°	40
30°	34
35°	30

- 76385. = wall sealing profile (standard width = awning fixture width (MA) + 70 mm)
- 60569. = face fixture bracket, left
- 60570. = face fixture bracket, right
- AH = fixture height = SH + ZX + sin W × (H - Y)
- AX = distance from wall ↔ cassette
- DH = headroom = SH - sin W × Y
- F3 = concrete foundation. Please refer to the section “Concrete foundations”
- H = **order dimension** = projection
- SH = **order dimension** = post height = AH - ZX - sin W × (H - Y)
- W = pitch (measured from the horizontal)
- WS = distance from wall ↔ support post centre = cos W × (H - Y) + AX
- Y = **order dimension** = the support post can be moved back by min. 100 and max. 1000 mm
- X = mounting height of wall connection profile from upper edge of fixture bracket
- XX = distance from the top edge of the fixture bracket to the top edge of the cassette (see table)
- ZX = distance upper edge cassette ↔ bottom edge of guide track (see table)

dimensions in mm

Face fixture

Dimension overview support post with stabilisation box



W	AX	XX	ZX
0°	45	27	73
5°	51	24	72
10°	58	19	70
15°	64	14	69
20°	70	8	66
25°	76	0	64
30°	81	- 8	61
35°	85	- 14	58

dimensions in mm

On site, every stabilisation box must be filled with at least 150 kg of ballast.

- 60569. = face fixture bracket, left
- 60570. = face fixture bracket, right
- AH = fixture height = $SH + ZX + \sin W \times (H - Y)$
- AX = distance from wall \leftrightarrow cassette
- BK = stabilisation box
- DH = headroom = $SH - \sin W \times Y$
- H = **order dimension** = projection
- SH = **order dimension** = post height = $AH - ZX - \sin W \times (H - Y)$
- W = pitch
- WS = distance from wall \leftrightarrow support post centre = $\cos W \times (H - Y) + AX$
- Y = **order dimension** = the support post can be moved back by min. 100 and max. 1000 mm
- XX = distance from the top edge of the fixture bracket to the top edge of the cassette (see table)
- ZX = distance upper edge cassette \leftrightarrow bottom edge of guide track (see table)

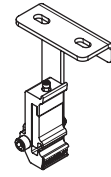
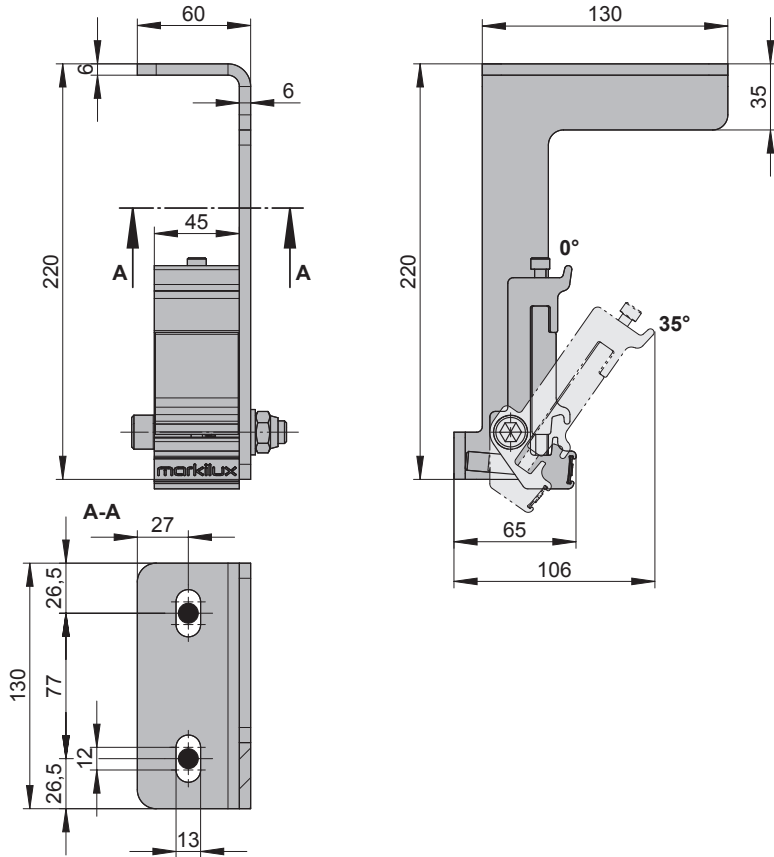
dimensions in mm

01
02
03
04
05
06
07
08

01
02
03
04
05
06
07
08

Top fixture

Top fixture cassette bracket, right and left

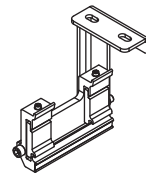
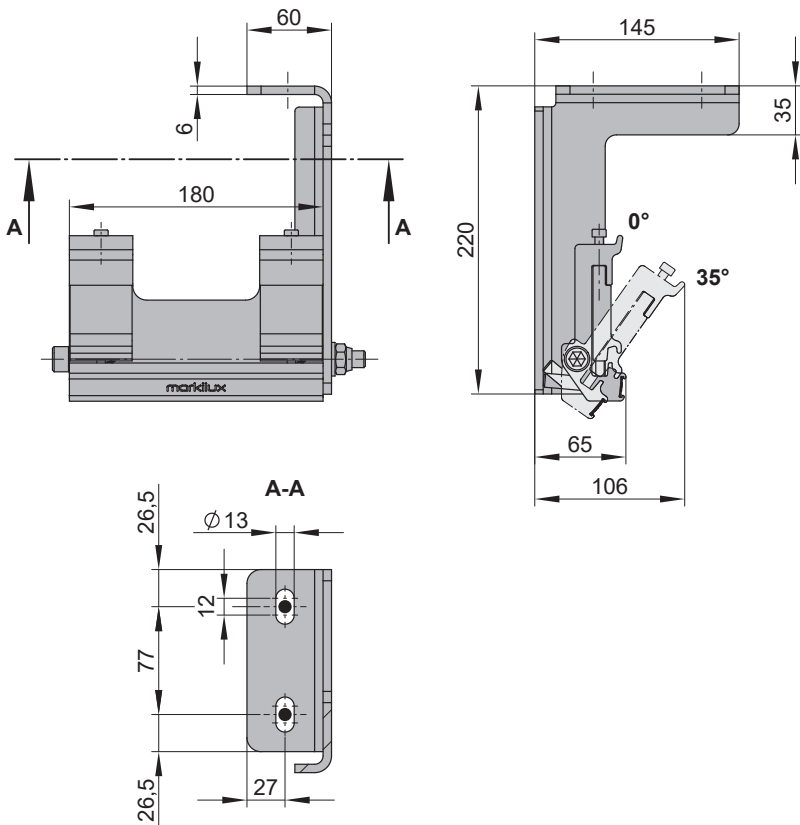


top fixture cassette bracket right / left

pitch adjustment range 5°–20°

60577.

Top fixture coupling cassette bracket (central in coupled units)



coupling bracket top fixture

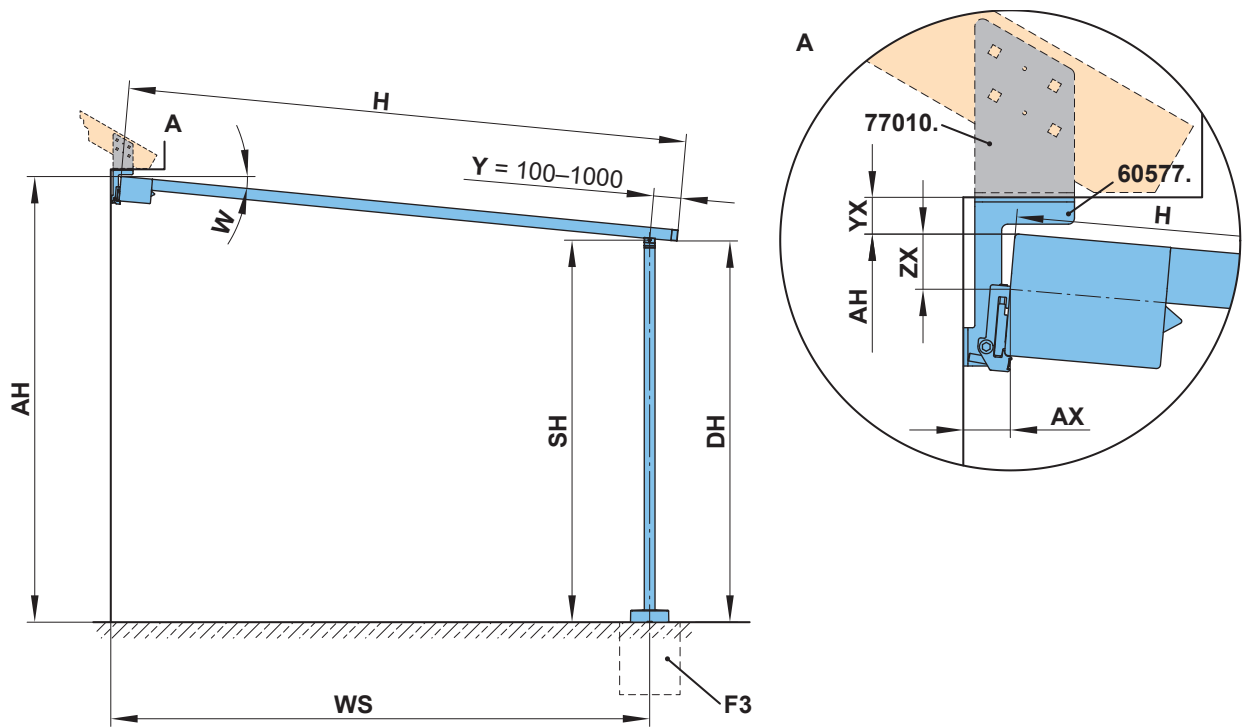
pitch adjustment range 0°–35°

62364.

dimensions in mm

Top and eaves fixture

Dimension overview support post with footplate



01
02
03
04
05
06
07
08

W	AX	XX	ZX
0°	45	27	73
5°	51	24	72
10°	58	19	70
15°	64	14	69
20°	70	8	66
25°	76	0	64
30°	81	-8	61
35°	85	-14	58

dimensions in mm

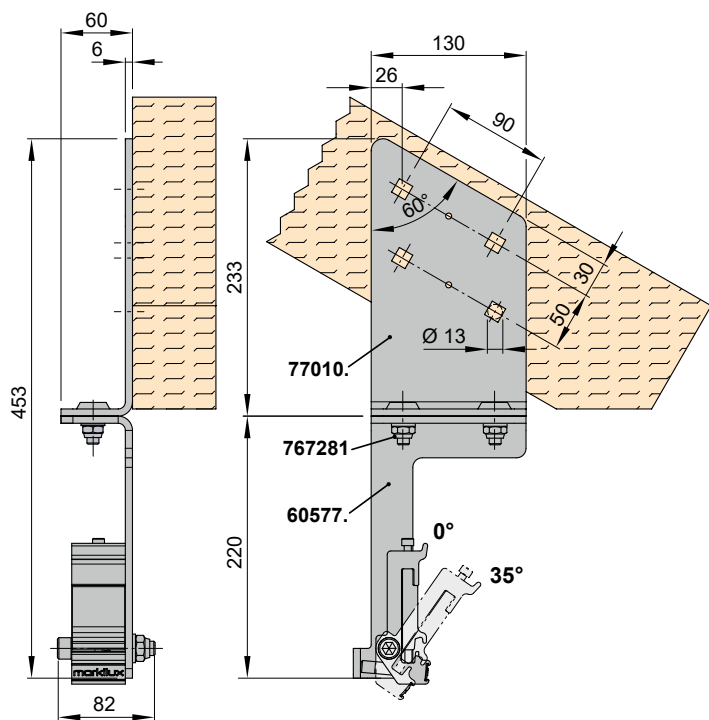
- 60577.** = top fixture bracket left /right
- 77010.** = eaves fixture bracket
- AH** = fixture height = $SH + ZX + \sin W \times (H - Y)$
- AX** = distance from wall \leftrightarrow cassette
- DH** = headroom = $SH - \sin W \times Y$
- F3** = concrete foundation. Please refer to the section "Concrete foundations"
- H** = **order dimension** = projection
- SH** = **order dimension** = support post height, standard height 2500 mm (special heights on request) = $AH - ZX - \sin W \times (H - Y)$
- W** = pitch
- WS** = distance from wall \leftrightarrow support post centre = $\cos W \times (H - Y) + AX$
- Y** = **order dimension** = the support post can be moved back by min. 100 and max. 1000 mm
- XX** = measurement from the top of the cassette \leftrightarrow underside of the gutter
- ZX** = distance upper edge cassette \leftrightarrow bottom edge of guide track (see table)

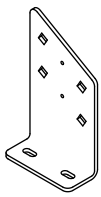
dimensions in mm

01
02
03
04
05
06
07
08

Eaves fixture

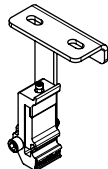
Eaves fixture bracket





eaves fixture bracket

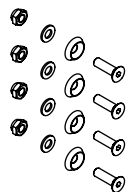
77010.



top fixture cassette bracket right / left

60577.

pitch adjustment range 5°–20°



accessories for two eaves fixture brackets 77010.

767281

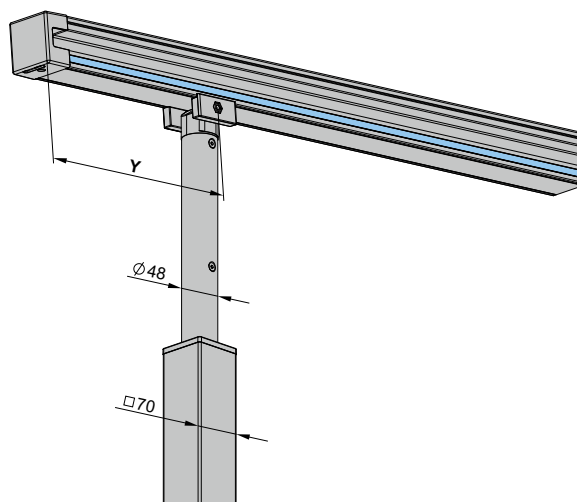
Telescopic, motor-driven post

- Minimum post height: 1810 mm
- The awning may only be retracted or extended if the front profile is horizontal, in other words, the post must not be in the lowered position.
- The shadeplus (optional) may only be operated when the post is not in the lowered position. It may only be operated when the front profile is horizontal.

Controls	standard	optional
hard-wired motor	—	✓
radio receiver Somfy Slim Plug io (8271254)	✓	—

Technical details Hard-wired motor

power supply	230 V AC
power output	110 W
protection class	IP 44

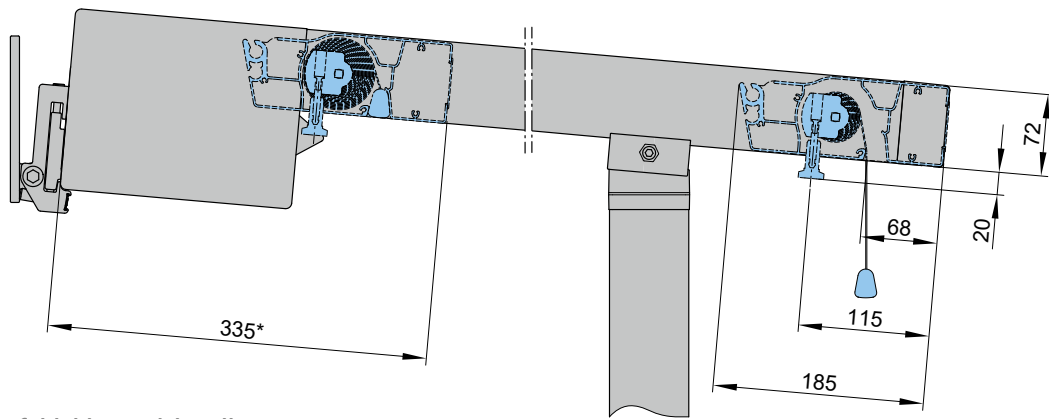


Y = **order dimension** = distance from post centre to leading edge of front profile.
Dimensions: min. 100 bis max. 1000 mm (standard)

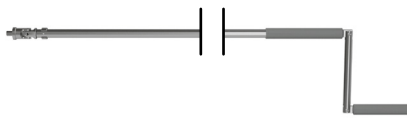
dimensions in mm

Overview of fixture dimensions, shadeplus

Magnetic gearbox operation



markilux foldable crank handle



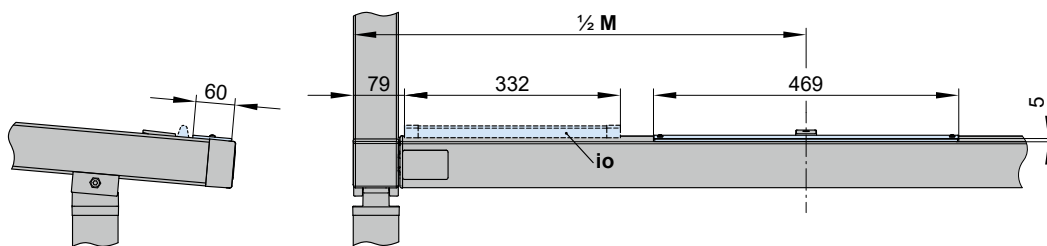
with magnetic gearbox attachment for manual operation of the drop valance
 lengths: standard 120 cm, optional 160 cm, from 160 cm up to 280 cm on request
 order no. 74271

* = extension when retracted

Please note! The shadeplus (optional) may only be operated when the post is not in the lowered position. It may only be operated when the front profile is horizontal.

sundrive

Solar module for radio-controlled shadeplus

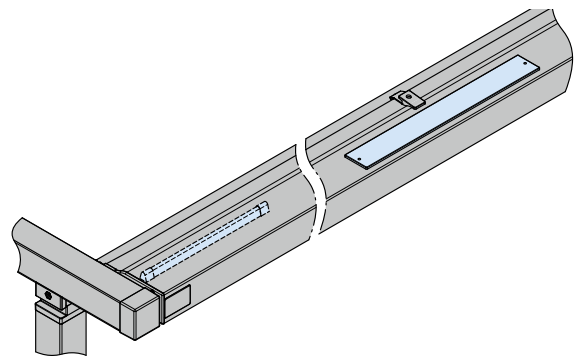


Technical data solar module

voltage	max. 21 V DC
current	max. 196 mA
power output	3,2 W
protection class	IP 44
battery capacity	2200 mAh

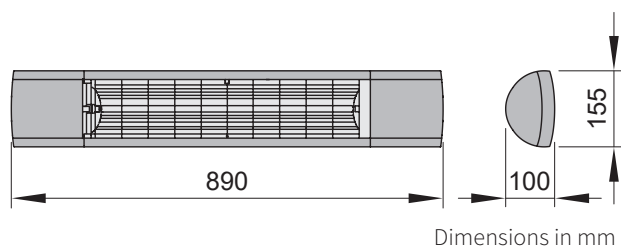
Technical data radio-controlled motor io (868 MHz)

power supply	12 V DC
power output	30 W
protection class	IP 44



Note: A radio antenna (see illustration) is integrated with the type of operation radio-controlled motor io sundrive. Operation side always left.

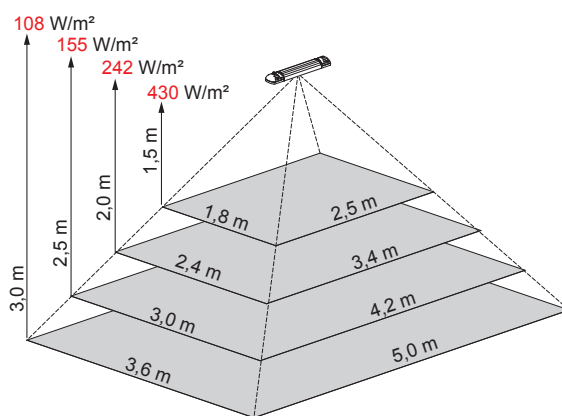
dimensions in mm

01 **Technical details infrared heater**02 **Overview of dimensions**06 **Technical specification**

07

08

power supply	230 V, 50 Hz, 16 A
power supply wire cross section	H05SS-F2G 3 × 1,5 mm ²
power output (per heater)	2500 Watt
length × depth × height	890 × 100 × 155 mm



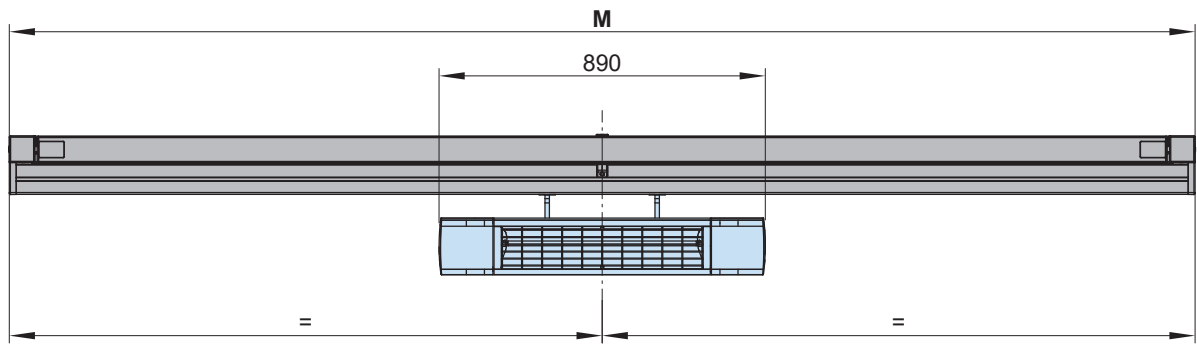
Core radiation zone (50 % of the central radiation intensity)

Special features

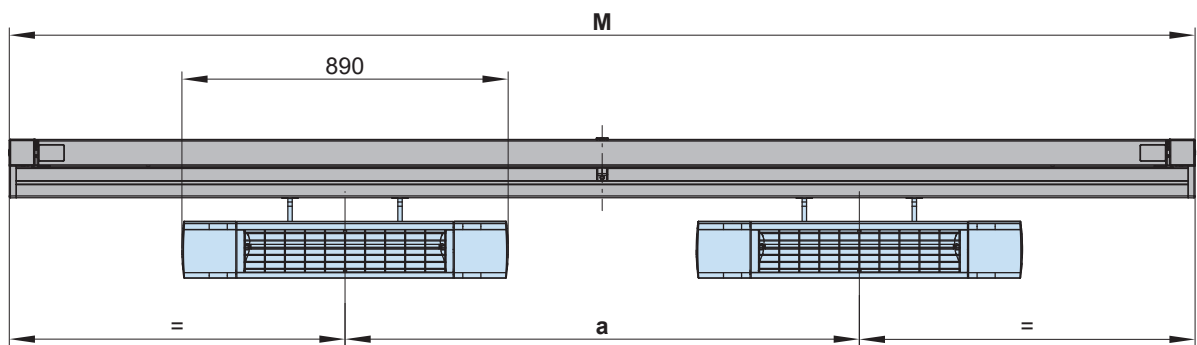
- soft start function with reduced initial current surge
- cooling fins on the back prevent excessive heating of the mounting surface
- the asymmetrical reflector gives optimum heat distribution
- infrared halogen lamp with “Ultra Low Glare” heating tube technology and pleasant colour temperature
- minimum installation height 1.8 m
- minimum distance to any irradiated object 1 m

Overview of dimensions, infrared heater

One infrared heater attached to the cassette



Two infrared heaters attached to the cassette



Awning width (M)	301	351	401	451	501	551
	-	-	-	-	-	-
	350	400	450	500	550	600
a in the case of two heaters	150	175	200	225	250	275

dimensions in cm

a = infrared heater separation
M = awning width

dimensions in mm

01
02
03
04
05
06
07

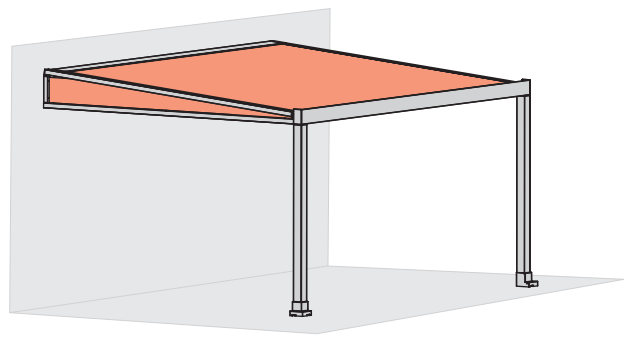
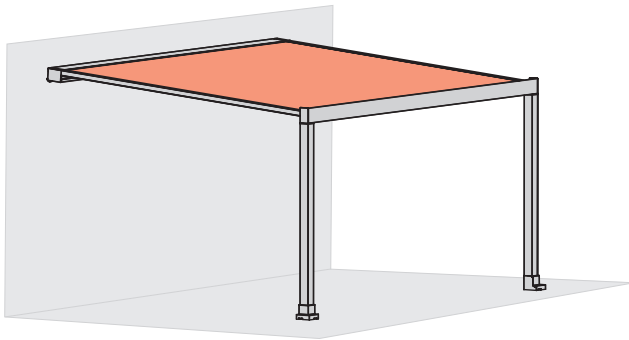
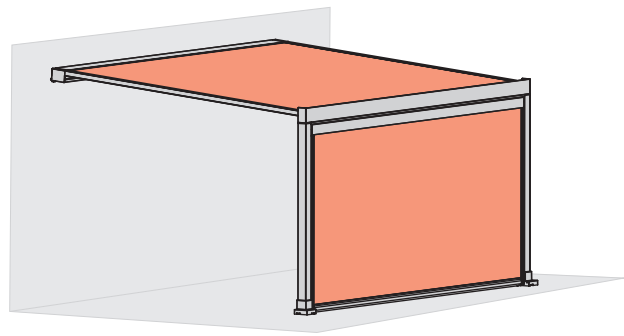
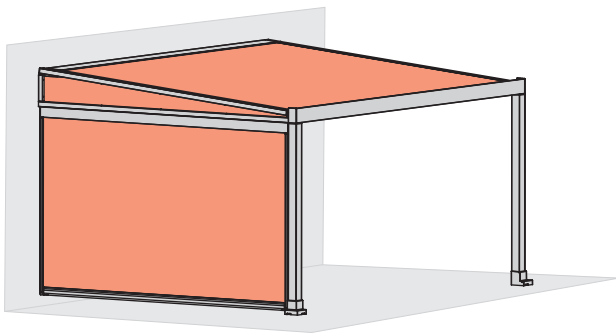
08

01 **Combination options**

02 Examples with rain gutter and markilux 776 tracfix / 625 tracfix or markilux format triangular unit

03 markilux pergola style with rain gutter

04 Additionally with markilux format triangular unit

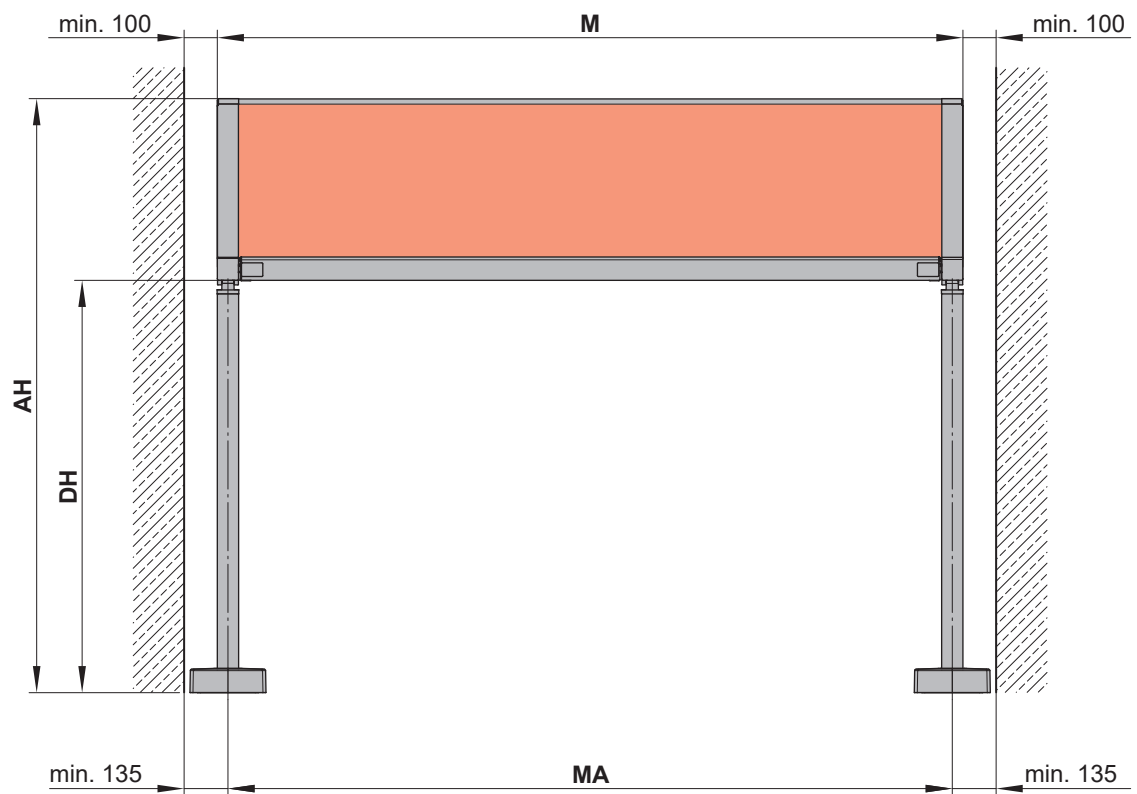
08
Additionally with markilux 776 tracfix or with markilux 625 tracfix attached to the side with markilux format triangular unit**Additionally with markilux 776 tracfix or markilux 625 tracfix at the front between the posts**

Combinations available on request.

Note: Combinations not possible with adjustable post or stabilisation boxes.

Overview of dimensions

Reveal fixture of a coupled unit



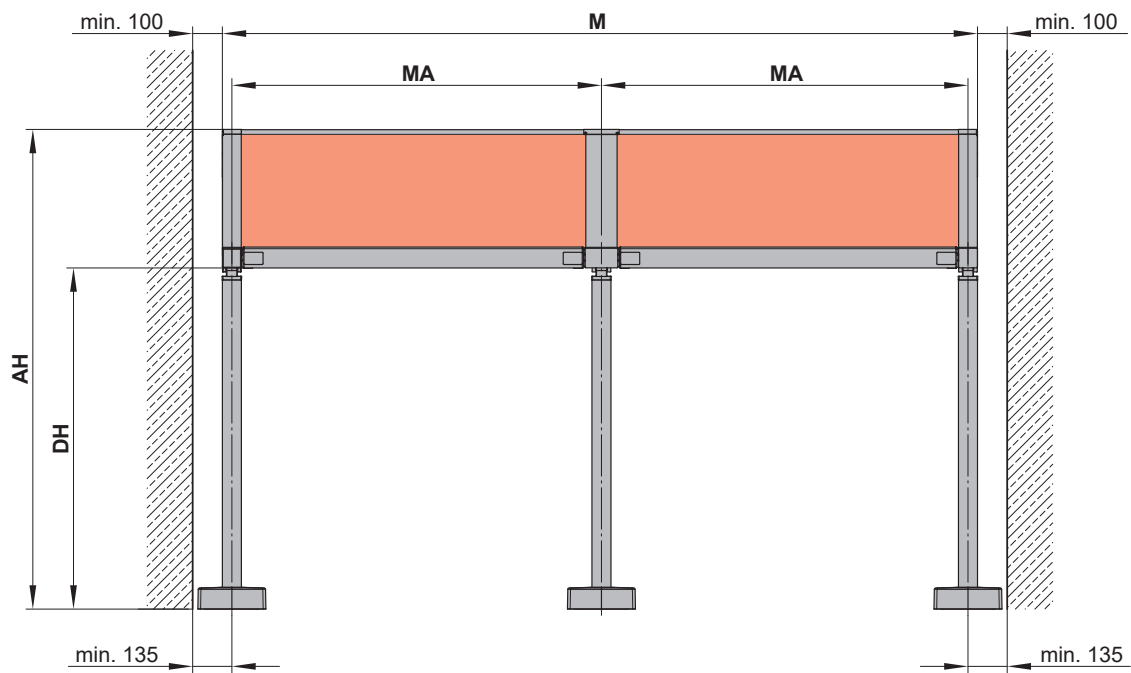
N.B.! In the case of reveal fixture a distance of at least 135 mm must be left free on each side of the awning.

- M** = overall awning width = **MA** + 7 cm
- MA** = **order dimension** = awning fixture width = fixture width
- AH** = fixture height
- DH** = headroom

dimensions in mm

01 Overview of dimensions

02 Reveal fixture of a coupled unit



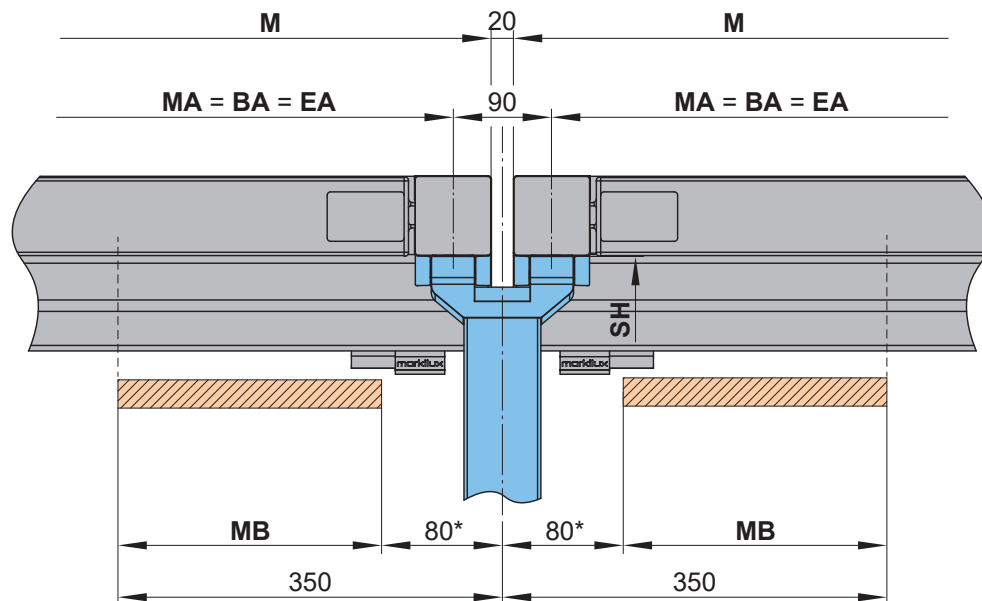
08

N.B.! In the case of reveal fixture a distance of at least 135 mm must be left free on each side of the awning.

- M = overall awning width = $MA + 7$ cm
- MA = **order dimension** = awning fixture width = fixture width
- AH = fixture height
- DH = headroom

dimensions in mm

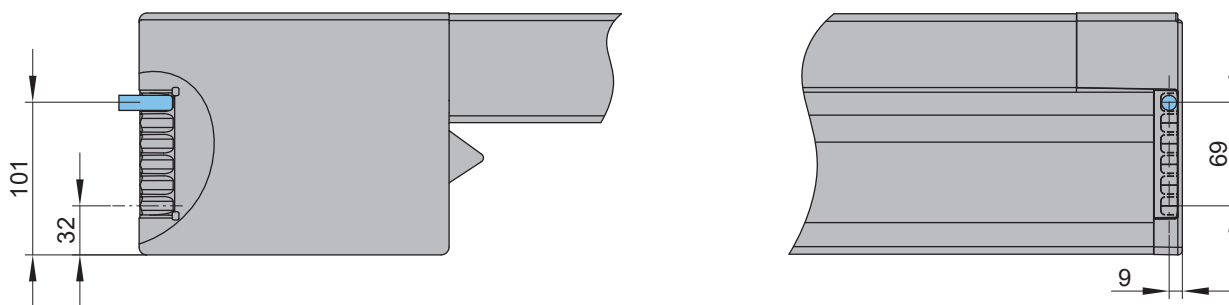
Overview of dimensions, double track bracket for single units



01
02
03
04
05
06
07

08

Motor cable exit point ¹⁾



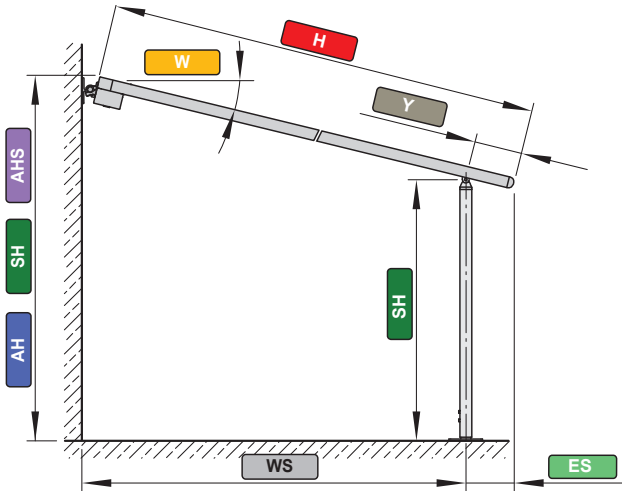
1) depending on the operation side, left or right

- * = dimensions fixture range
- BA = width between fixture points
- EA = single unit
- M = overall awning width = MA + 7 cm
- MA = **order dimension** = awning fixture width = fixture width
- MB = bracket fixture range
- SH = support post height

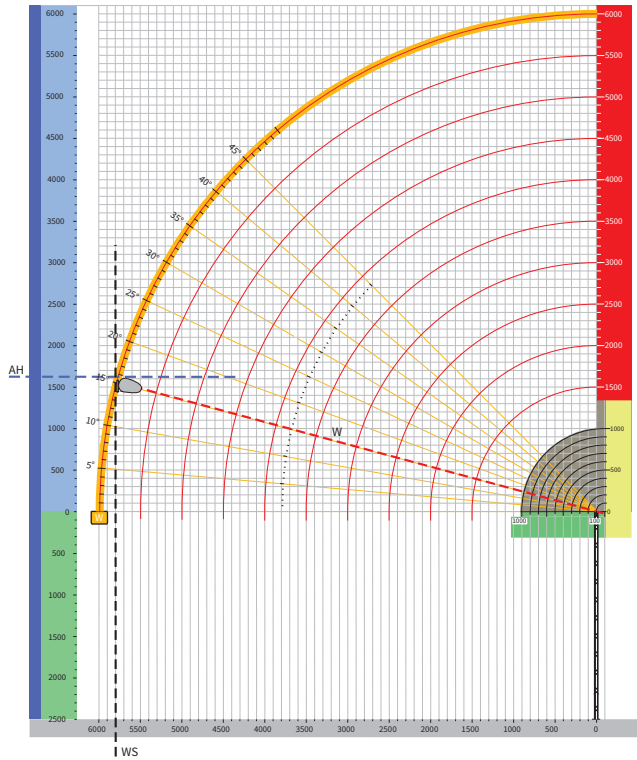
dimensions in mm

01 Calculation of the approximate fixture height, examples

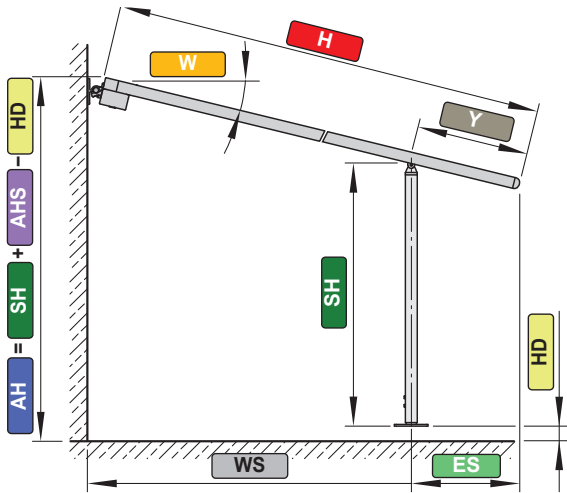
02 Example 1: front support posts pushed as far forward as possible, $Y = 100 \text{ mm}$



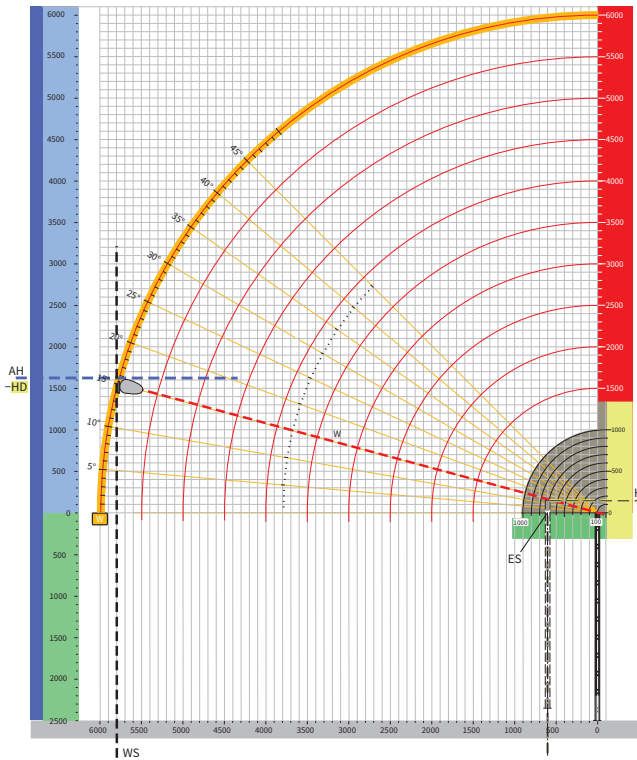
- 08
- ES = 100
 - W = 15°
 - H = 6000
 - WS = 5800
 - Y = 100
 - SH = 2500
 - AHS = 1620
 - AH = SH + AHS = 2500 + 1620 = 4120



Example 2: front support posts pushed back, $100 \text{ mm} \leq Y \leq 1000 \text{ mm}$



- ES = 700
- W = 15°
- H = 6000
- WS = 5200
- Y = 700
- HD = 130
- SH = 2500
- AHS = 1620
- AH = SH + AHS - HD = 2500 + 1620 - 130 = 3990

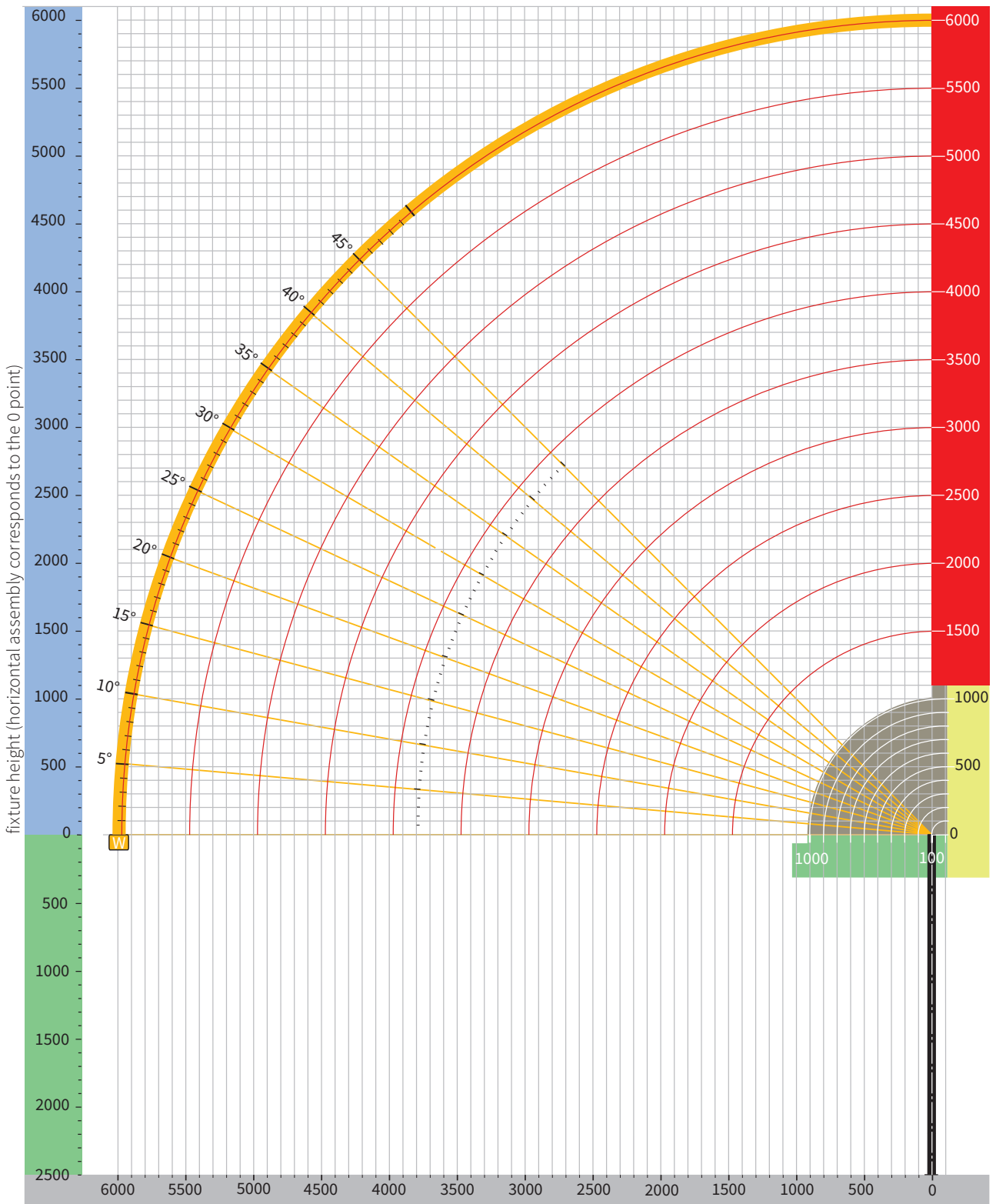


- ES = centre of support post to the \leftrightarrow leading edge of the front profile
- W = pitch
- H = extension
- WS = measurement from the wall \leftrightarrow support post
- Y = distance front support posts can be moved back
- HD = difference from the fixture height
- SH = support post height 2500 mm
- AHS = fixture height from the top edge of the support post
- AH = installation height

dimensions in mm

Calculation of the approximate fixture height

Drawing template



01
02
03
04
05
06
07
08

N.B! An on-line tool to calculate the installation measurements can be found in the protected area of the website, pro.markilux.com.

dimensions in mm

01

02

03

04

05

06

07

08