



Cassette awning

markilux MX-3

The sturdy cassette awning with a slender figure and contrasting visual features from round to square.



markilux.com

Except on the colours of the cassette and front styling panel from the main catalogue. You can access the complete chapter from the catalogue using the QR code.

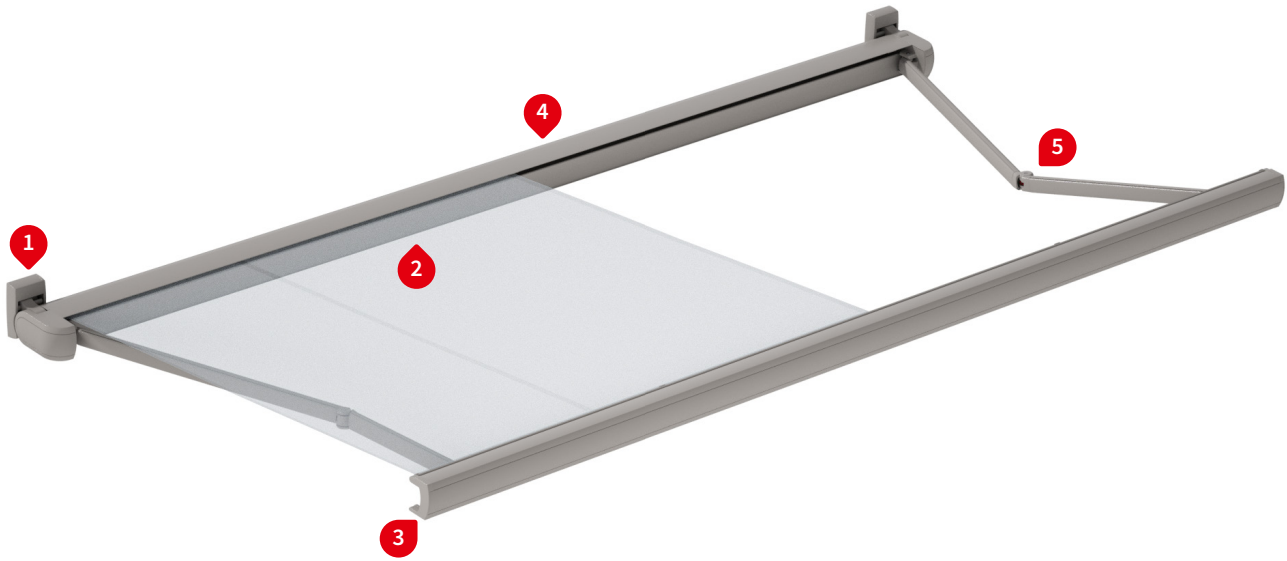


markilux
safe timeless beautiful

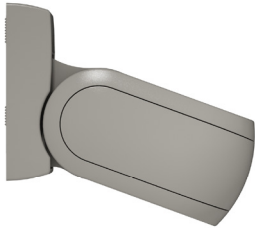
01
02
03
04
05
06
07
08

Product characteristics

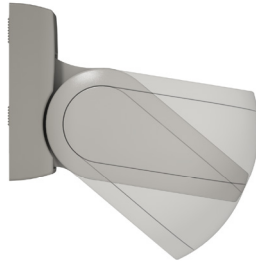
Wind resistance class 2
Beaufort 5 → 7.5–10.4 m/s → 28–37 km/h → 17–23 mph



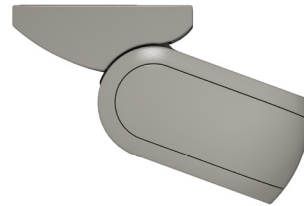
1) face fixture



1) face fixture, maximum pitch of 35°



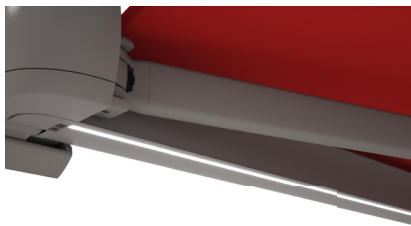
1) top fixture



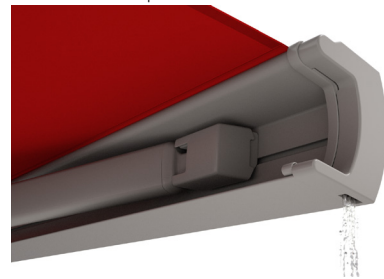
1) top fixture, view from the rear



2) LED-Line in the cassette ¹⁾



3) unique water drainage system in the front profile



4) wall sealing profile ¹⁾



5) bionic tendon made of high-tech fibres for optimum power transference



1) Optional accessories

Product characteristics

Description

- a slender, folding-arm full cassette awning exhibiting excellent technological features, which enables areas up to 6 m wide to be shaded

Special features

- self-supporting cassette profile with the brackets installed at each end of the awning – therefore suitable for bridging larger distances
- cassette with arms situated in front and at each end, which – when the awning is closed – are encompassed fully by the front profile lending a harmonious overall appearance to the awning
- the cassette obscures the view of the roller tube when the awning is extended
- option of directional LED Line fitted to the underside of the cassette which provides an appealing atmosphere in the evening
- individual combination of awning colour and screen profile colour possible
- the brackets are hidden unobtrusively behind the awning

Dimensions

- cassette in the standard version: depth 230 mm, height 120 mm
- single unit: minimum width 183 cm with smallest projection 150 cm, maximum width 500 cm with greatest projection 350 cm or 600 cm x projection 300 cm

roller tube and lateral bearings

- round roller tube Ø 85 mm with keyway, galvanised steel – excellent stability, ensures near perfect cover performance even at the largest widths
- the arm bearer is made of die-cast aluminium, powder coated, with integrated, infinitely variable pitch setting mechanism

Awning profiles

- extruded aluminium, in façade quality, powder coated
- two-piece cassette with clever inner profile – providing the awning cover with optimum protection against the elements
- the lower cassette profile has a slot into which the LED Line can be recessed
- front profile, harmoniously rounded at the front with integrated gutter

Folding arms

- profiles in extruded aluminium, in façade quality, powder coated
- moving parts made of drop-forged aluminium – the arms are therefore extremely fracture resistant
- pivot bolts in stainless steel run in Teflon-coated bronze bushes - practically maintenance free, virtually silent and extremely hard wearing
- power transference via the innovative bionic tendon at the elbow joint, made of high tensile, high-tech fibres – low in friction, noiseless, insensitive to corrosion and UV resistant

End caps

- the end cap insert sections are made of high-quality plastic, powder coated or in a polished chrome finish
- the front profile end caps are made of high-quality plastic, powder coated, with water drainage holes

Fixture brackets

- face fixture, top fixture, eaves fixture
- extruded aluminium, powder coated
- also available in individual widths (on request)
- including caps made of high quality plastic to cover the face or top fixture brackets and their fixture bolts
- pitch range 5°–35° (face fixture), or 5°–70° (top or eaves fixture)
- spacer plates, stand-off brackets and other accessories are available

01 Frame, end cap insert and styling panel colours

markilux frame colours without surcharge

02 traffic white, RAL 9016



metallic aluminium, RAL 9006



grey brown, similar to RAL 8019



06 off-white textured finish, 5233 ¹⁾



stone grey metallic, 5215 ¹⁾



anthracite metallic, 5204 ¹⁾



08 havana brown textured finish, 5229 ¹⁾



Non-standard powder-coated finish

Bespoke frame colours incur a surcharge – matt, metallic, finely textured and pearl finishes as well as other colour ranges (DB, Tiger etc.) on request. All frame colours are available at a surcharge with enhanced corrosion protection.

Colours may differ slightly from those depicted in both hue and finish.

1) textured finish

Combination options

All standard styling panel colours can be combined at will with the standard frame colours ²⁾

Frame stone grey metallic 5215
Styling panel / end cap insert anthracite metallic 5204



Frame off-white textured finish, 5233
Styling panel / end cap insert anthracite metallic, 5204



Frame traffic white, RAL 9016
Styling panel / end cap insert metallic aluminium, RAL 9006



Frame anthracite metallic 5204
Styling panel / end cap insert stone grey metallic 5215



Colours may differ slightly from those depicted in both hue and finish.

2) Illustrations by way of example; The styling panel and end cap insert colours must be the same colour.

01
02
03
04
05
06
07
08

01 Additional front panel colours

The additional styling panel colours can be combined at will with all the standard frame colours ¹⁾

02

light ivory RAL 1015 matt

new champagne 5062 matt

03



04

05

06

07

08

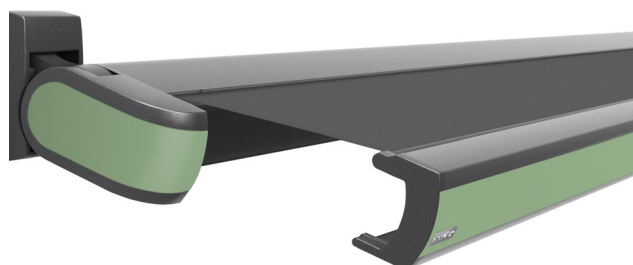
golden yellow RAL 1004 matt

deep orange RAL 2011 matt



crimson RAL 3002 matt

pale green RAL 6021 matt



steel blue RAL 5011 matt

jet black RAL 9005 matt





Colours may differ slightly from those depicted in both hue and finish.

1) Illustrations by way of example; fabric pattern with matching front panel.

Dimensions and configuration options

Single unit


		Awning width								Minimum width	
		250	300	350	400	450	500	550	600	Motor	Crank handle
Order dimensions		183	251	301	351	401	451	501	551		
		250	300	350	400	450	500	550	600		
H	150	1)								191	183
	200	1)								233	233
	250	—	1)							283	283
	300	—	—	1)						333	333
	350	—	—	—	1)			—	—	383	383

dimensions in cm

1) = please note the minimum widths!

H = projection

 = 2 folding arms,
2 brackets

 = 2 standard arms

Operation

standard optional

crank handle	✓	—
spring-assisted crank handle	—	✓
hard-wired motor	—	✓
silentec motor (optionally with external radio receiver io / RTS)	—	—
radio-controlled motor io, 868 MHz	—	✓
radio-controlled motor RTS, 433 MHz	—	✓
868 MHz radio-controlled motor io with manual override	—	—

Coupled awnings

not available

Awning cover

fabric pattern no. standard optional

sunvas	300.. - 315..	✓	—
sunsilk	324.. / 328.. / 369..	✓	—
sunbow ¹⁾	411.. - 427..	✓	—
smart art	340..	—	✓
perla FR	371.. / 372..	—	✓

Shadeplus

not available

1) up to max. 300 cm projection available

01

02

03

04

05

06

07

08

01	Optional accessories
	LED Line in the cassette
02	wall sealing profile, up to a pitch of 35°
	infrared heater 2500 W
03	infrared heater 2500 W with integrated radio-controlled receiver 868 MHz radio-controlled io
04	Automatic controls (light, wind, rain)

N.B. Important background information can be found in the chapter "Optional Accessories".

05

06

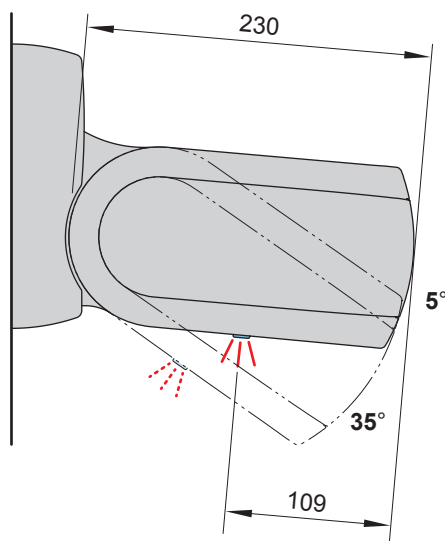
07

08

Fixture options	
face fixture bracket with cover, left 100 mm	75885.
face fixture bracket with cover, right 100 mm	75886.
face fixture bracket left, 300 mm	75877.
face fixture bracket right, 300 mm	75878.
spreader plate A 430 × 160 × 12 mm	73466.
spreader plate B 300 × 400 × 12 mm	73465.
markilux panel 250 × 230 × 49 mm	76308.
markilux panel continuous	701104
vertical fixture rail	62421.
stand-off bracket 80–300 mm for face fixture bracket 100 mm	72872.
stand-off bracket for 300 mm face fixture brackets	77968.
top fixture bracket with cover, left 100 mm	75887.
top fixture bracket with cover, right 100 mm	75888.
eaves fixture bracket 150 mm plate	75889.
eaves fixture bracket 90 mm plate, 270 mm plate	71659.
flat plate and angled bracket for eaves fixture, machine finish aluminium, 500 mm	741290
spreader plate 260 × 60 × 12 mm for eaves fixture bracket	75383.

Lighting options

LED-Line in the cassette



Technical specification

operating voltage	230 V, 50 Hz
power output per metre	10 W / metre
number of LEDs per metre	120 LEDs / metre
light source	LED (12 V)
number of transformers	1 unit
light temperature	warm white
IP protection class	IP 44
service life	approx. 15.000 h

Controls

	standard	optional
radio-controlled dimmer io 868 MHz	✓	—
radio-controlled dimmer RTS 433 MHz	✓	—

Electrical connection

power supply cable with open end H05RN-F 3G1 (3 × 1 mm ²)

dimensions in mm

No. of brackets | No. of fixing points

		Overall awning width							
		250	300	350	400	450	500	550	600
Order dimensions		195	251	301	351	401	451	501	551
		250	300	350	400	450	500	550	600
		No. of brackets No. of fixing points							
W	BHT 10	2 6							
BP		A 2 16 B 2 8							
PA		2 8							
DA / DE	10	2 8							

01
02
03
04
05
06
07
08

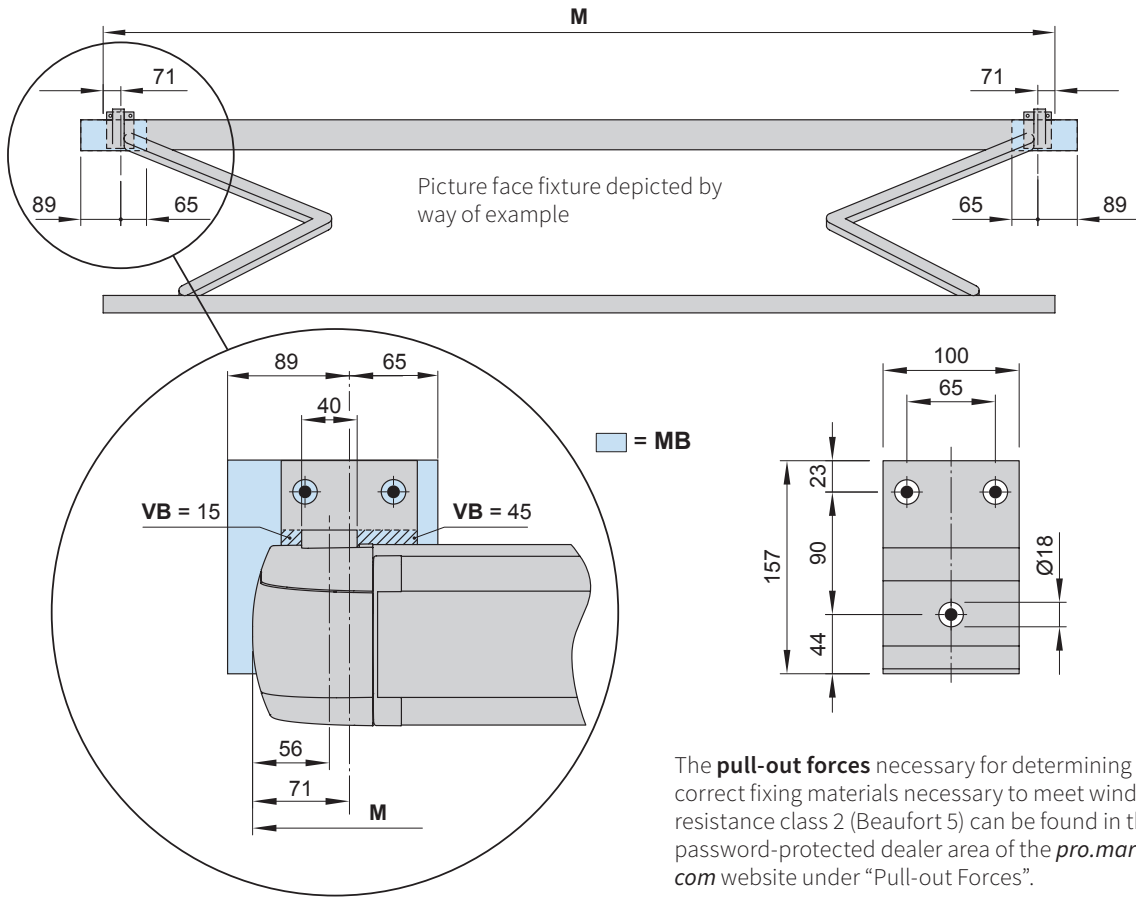
dimensions in cm

The **pull-out forces** necessary for determining the correct fixing materials necessary to meet wind resistance class 2 (Beaufort 5) can be found in the password-protected dealer area of the *pro.markilux.com* website under "Pull-out Forces".

- BHT** = bracket width
- BP** = spreader plate (**A** or **B**)
- DA** = eaves fixture brackets
- DE** = top fixture brackets
- PA** = markilux panel, fixture profile, width 250 mm
- W** = face fixture brackets

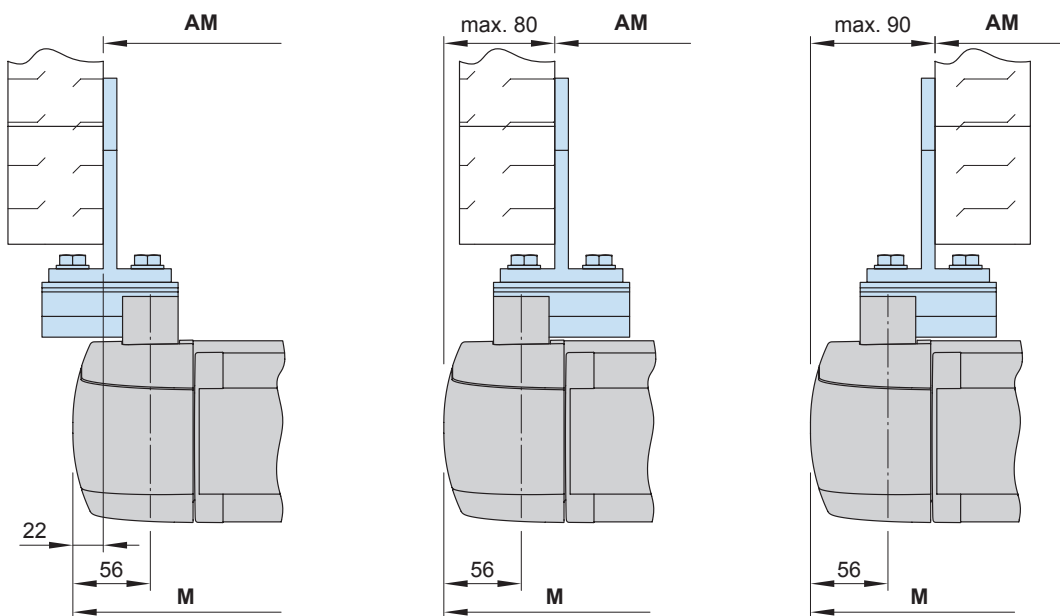
01 **Bracket fixture range**

02 Face and top fixture



The **pull-out forces** necessary for determining the correct fixing materials necessary to meet wind resistance class 2 (Beaufort 5) can be found in the password-protected dealer area of the *pro.markilux.com* website under "Pull-out Forces".

Eaves fixture

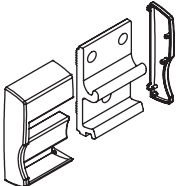
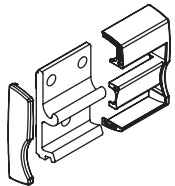
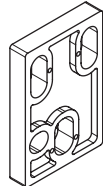
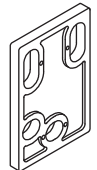
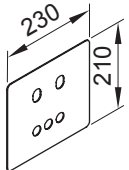
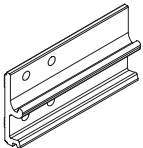
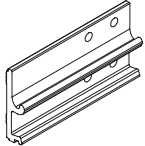
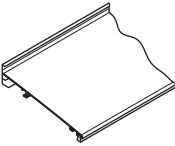
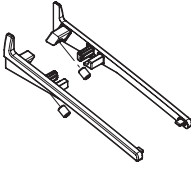


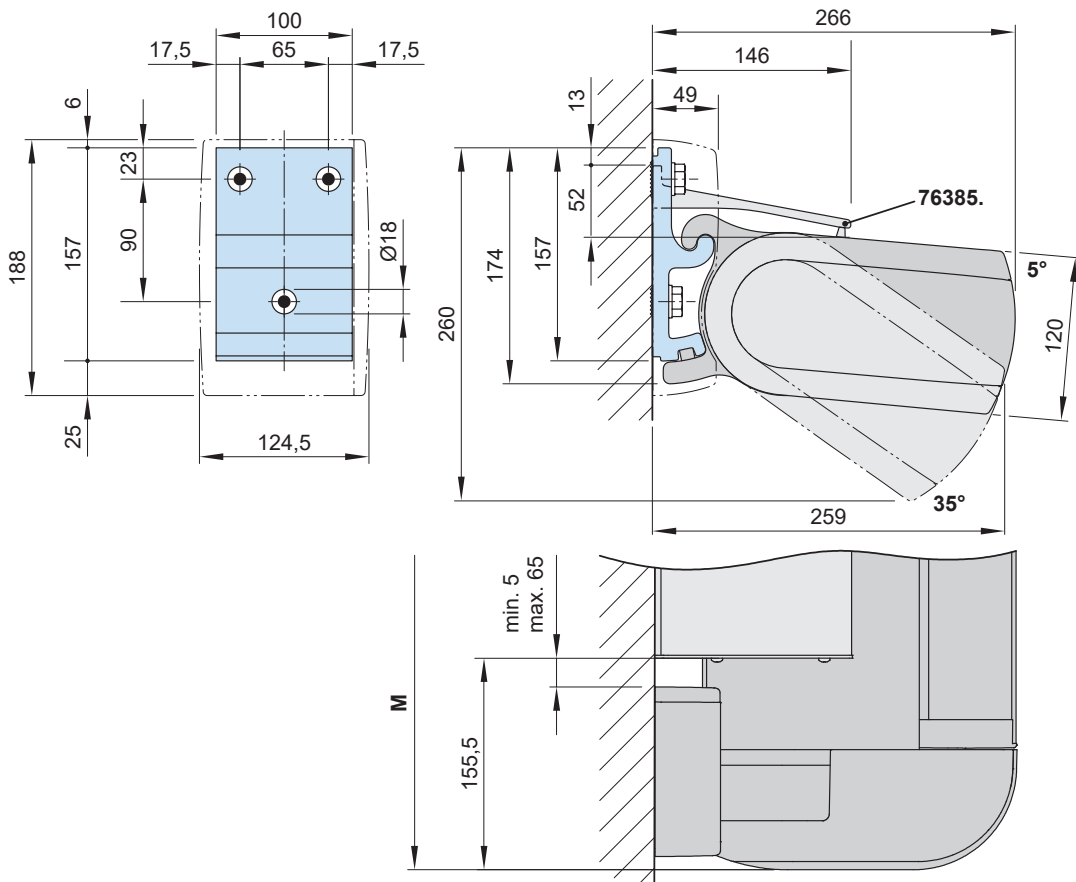
- AM = installation dimensions
- M = **order width** = awning width
- MB = bracket fixture range
- VB = adjustment range, face fixture bracket

dimensions in mm

Face fixture

Fixtures, fittings and accessories

 <p>face fixture bracket cover cap left 100 mm</p> <p>75885.</p>	 <p>face fixture bracket cover cap right 100 mm</p> <p>75886.</p>	 <p>spacer plate 100 × 150 × 20 mm</p> <p>N.B.! Stack to a max. height of 200 mm</p> <p>758831</p>
 <p>spacer plate 100 × 150 × 12 mm</p> <p>758841</p>	 <p>cover plate for spacer plate and stand-off brackets in the case of external insulation 230 × 210 × 2 mm</p> <p>71843.</p>	 <p>face fixture bracket left 300 mm</p> <p>75877.</p>
 <p>face fixture bracket right 300 mm</p> <p>75878.</p>	 <p>wall sealing profile incl. brush seal by the metre</p> <p>76385. and 704241.</p>	 <p>side cover wall sealing profile left and right</p> <p>60919. and 60920.</p>



76385. = wall sealing profile (standard width = awning width (M) – 311 mm; up to a maximum awning pitch of 35°)
M = order width = awning width

dimensions in mm

01
02
03
04
05
06
07
08

01 **Face fixture with spreader plate A**

02 Fixtures, fittings and accessories

03

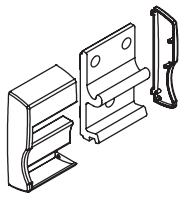
04

05

06

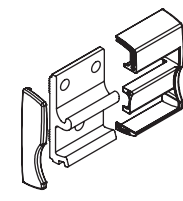
07

08



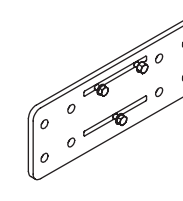
face fixture bracket cover cap left
100 mm

75885.



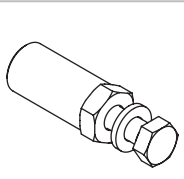
face fixture bracket cover cap right
100 mm

75886.



spreader plate A face fixture
430 x 160 x 12 mm

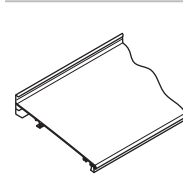
73466.



reduction bolt
pack 10 pcs

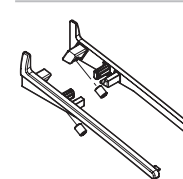
M 16 → M 12 | M 16 → M 10 | M 12 → M 10 | M 10 → M 10

76385. and 704241.

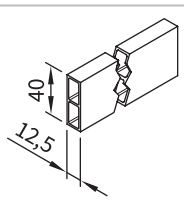


wall sealing profile incl. brush seal
by the metre

60919. and 60920.



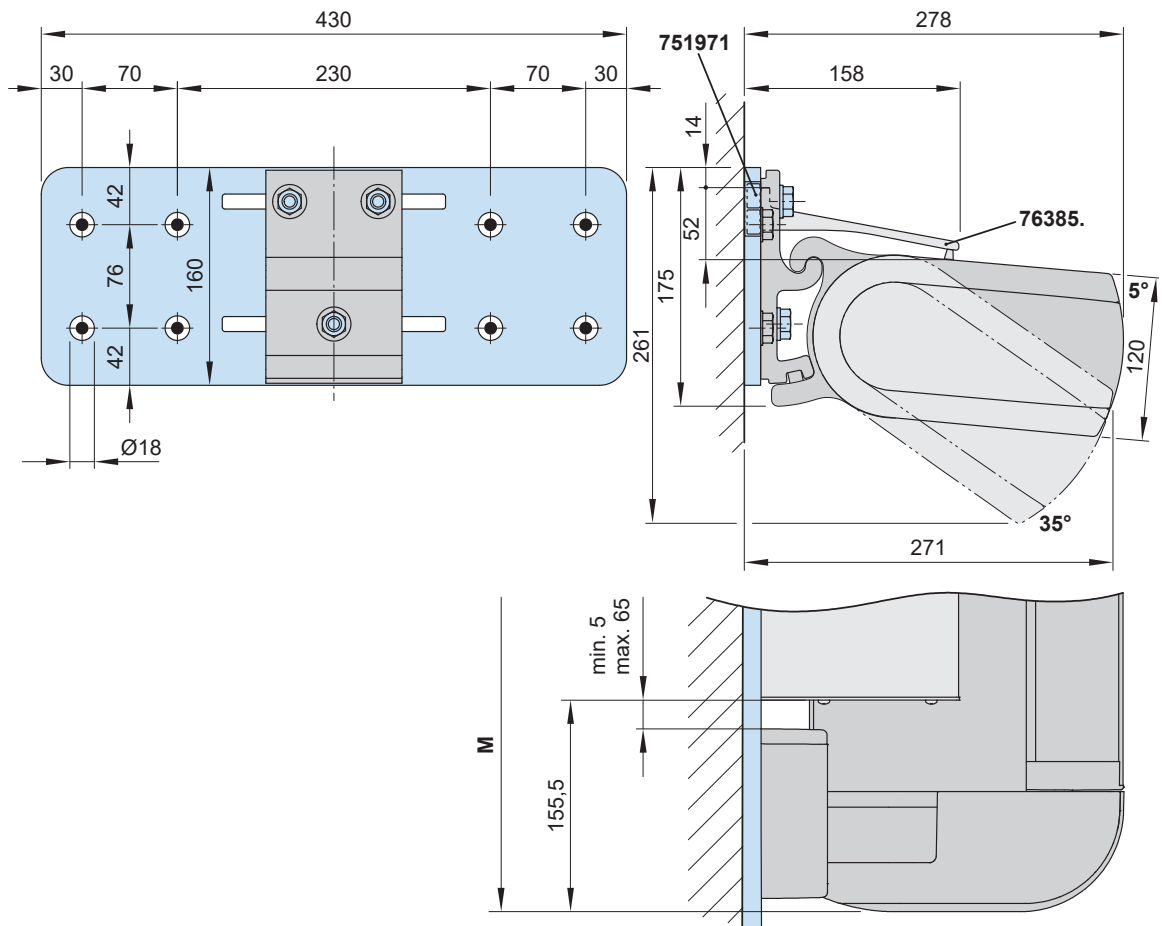
side cover wall sealing profile
left and right



stand-off strip for wall sealing
by the metre

40
12,5

751971



751971 = stand-off strip for wall sealing profile

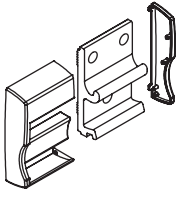
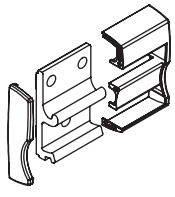
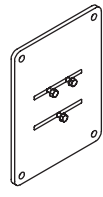
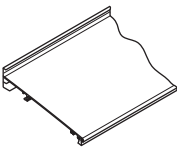
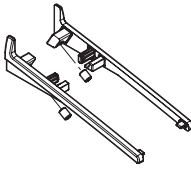
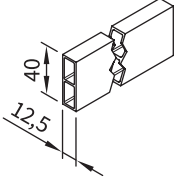
76385. = wall sealing profile (standard width = awning width (M) - 311 mm; up to a maximum awning pitch of 35°)

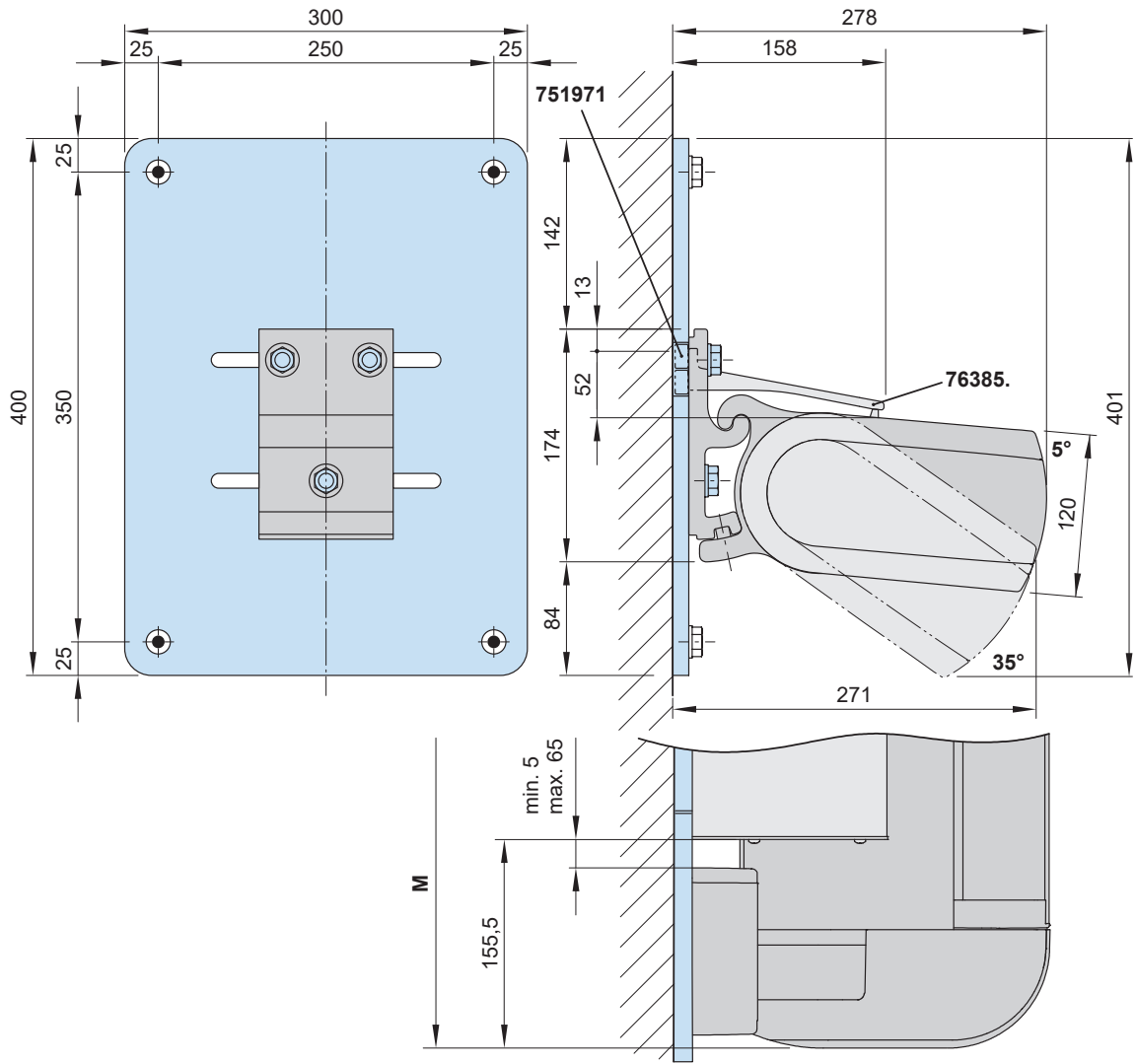
M = order width = awning width

dimensions in mm

Face fixture with spreader plate B

Fixtures, fittings and accessories

 <p>face fixture bracket cover cap left 100 mm</p> <p>75885.</p>	 <p>face fixture bracket cover cap right 100 mm</p> <p>75886.</p>	 <p>spreader plate B 300 × 400 × 12 mm</p> <p>73465.</p>
 <p>wall sealing profile incl. brush seal by the metre</p> <p>76385. and 704241.</p>	 <p>side cover wall sealing profile left and right</p> <p>60919. and 60920.</p>	 <p>stand-off strip for wall sealing by the metre</p> <p>751971</p>



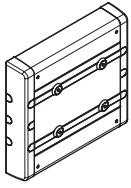
- 751971** = stand-off strip for wall sealing profile
- 76385.** = wall sealing profile (standard width = awning width (M) – 311 mm; up to a maximum awning pitch of 35°)
- M** = **order width** = awning width

dimensions in mm

01
02
03
04
05
06
07
08

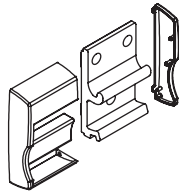
01 **Face fixture using the markilux panel 250 mm wide**

02 Fixtures, fittings and accessories



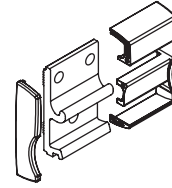
markilux panel
250 × 230 × 49 mm
with decorative profiles
and end caps

03 **76308.**



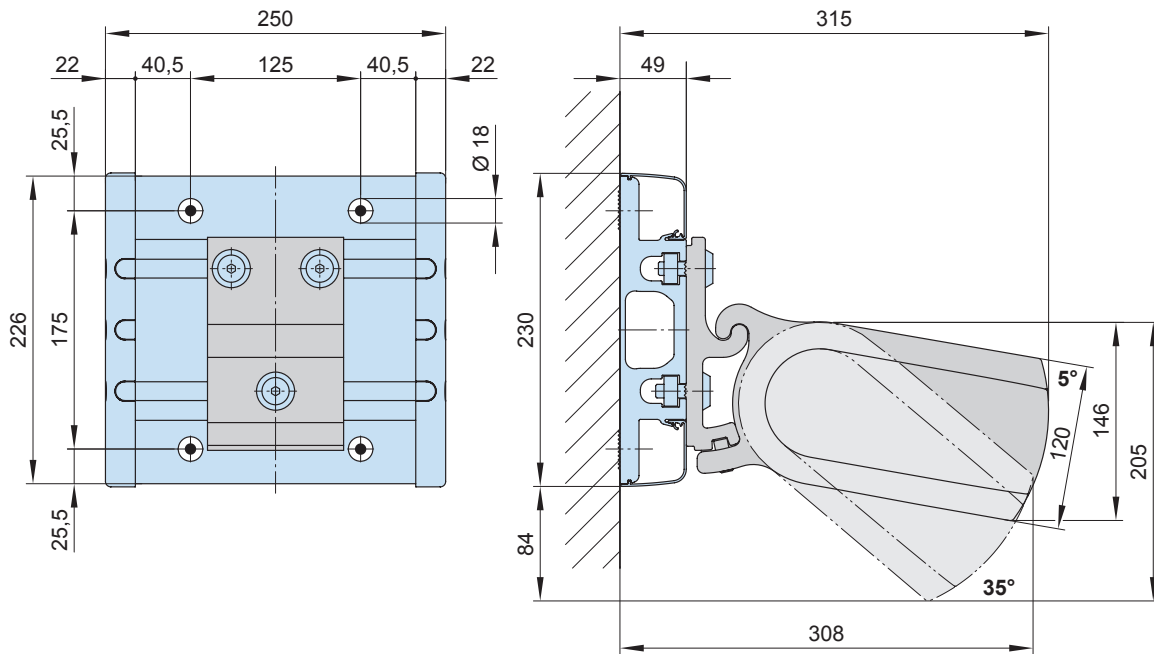
face fixture bracket
cover cap
left
100 mm

04 **75885.**



face fixture bracket
cover cap
right
100 mm

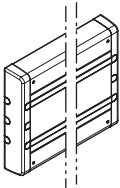
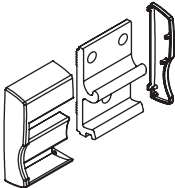
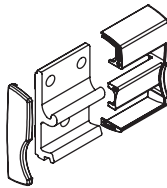
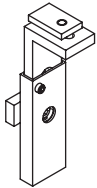
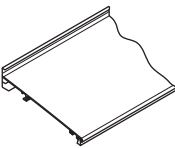
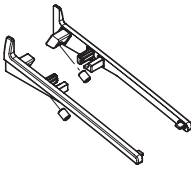
05 **75886.**



dimensions in mm

Face fixture with markilux panel continuous

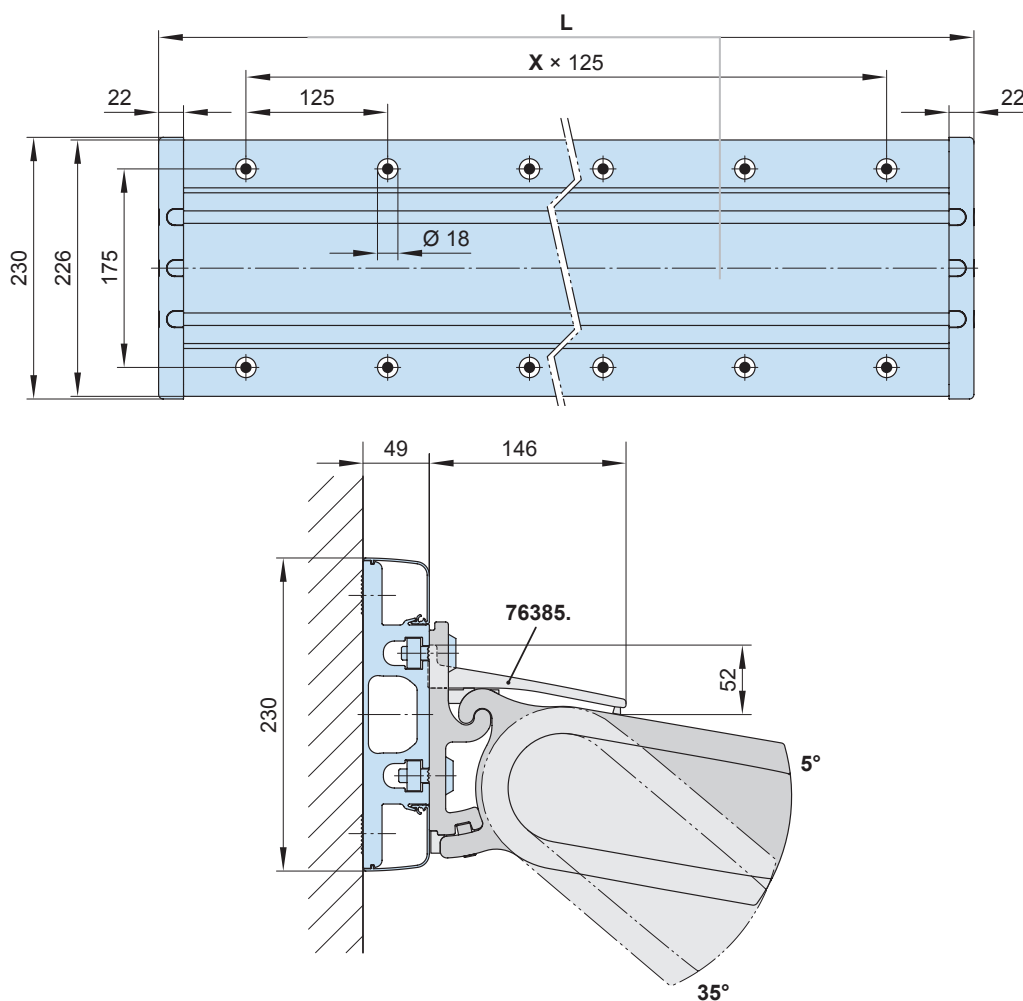
Fixtures, fittings and accessories

 <p>markilux panel continuous with decorative profiles and end caps</p> <p>701104</p>	 <p>face fixture bracket cover cap left 100 mm</p> <p>75885.</p>	 <p>face fixture bracket cover cap right 100 mm</p> <p>75886.</p>
 <p>bracket wall sealing profile small</p> <p>76468.</p>	 <p>wall sealing profile incl. brush seal by the metre</p> <p>76385. and 704241.</p>	 <p>side cover wall sealing profile left and right</p> <p>60919. and 60920.</p>

01
02
03
04
05
06
07
08

As a **continuous fixture profile**, the markilux panel will always be supplied to order on the basis of a technical drawing prepared in the factory in accordance with the awning specification.

The technical drawing shows the fixture points and pull-out forces and must be approved in writing.



- 76385.** = wall sealing profile (standard width = awning width (M) - 311 mm; up to a maximum awning pitch of 35°)
- L** = individual width, max. 7000 mm, (standard $L = M + 20$ mm)
- X** = number of distances between the spots (depends on size)

dimensions in mm

01 **Face fixture with vertical fixture rail**

02 Fixtures, fittings and accessories

03

04

05

06

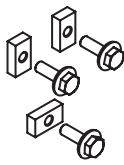
07

08



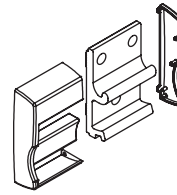
Vertical fixture rail

62421.



Fixing material for vertical fixture rail

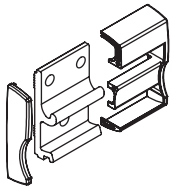
624291



face fixture bracket cover cap left

100 mm

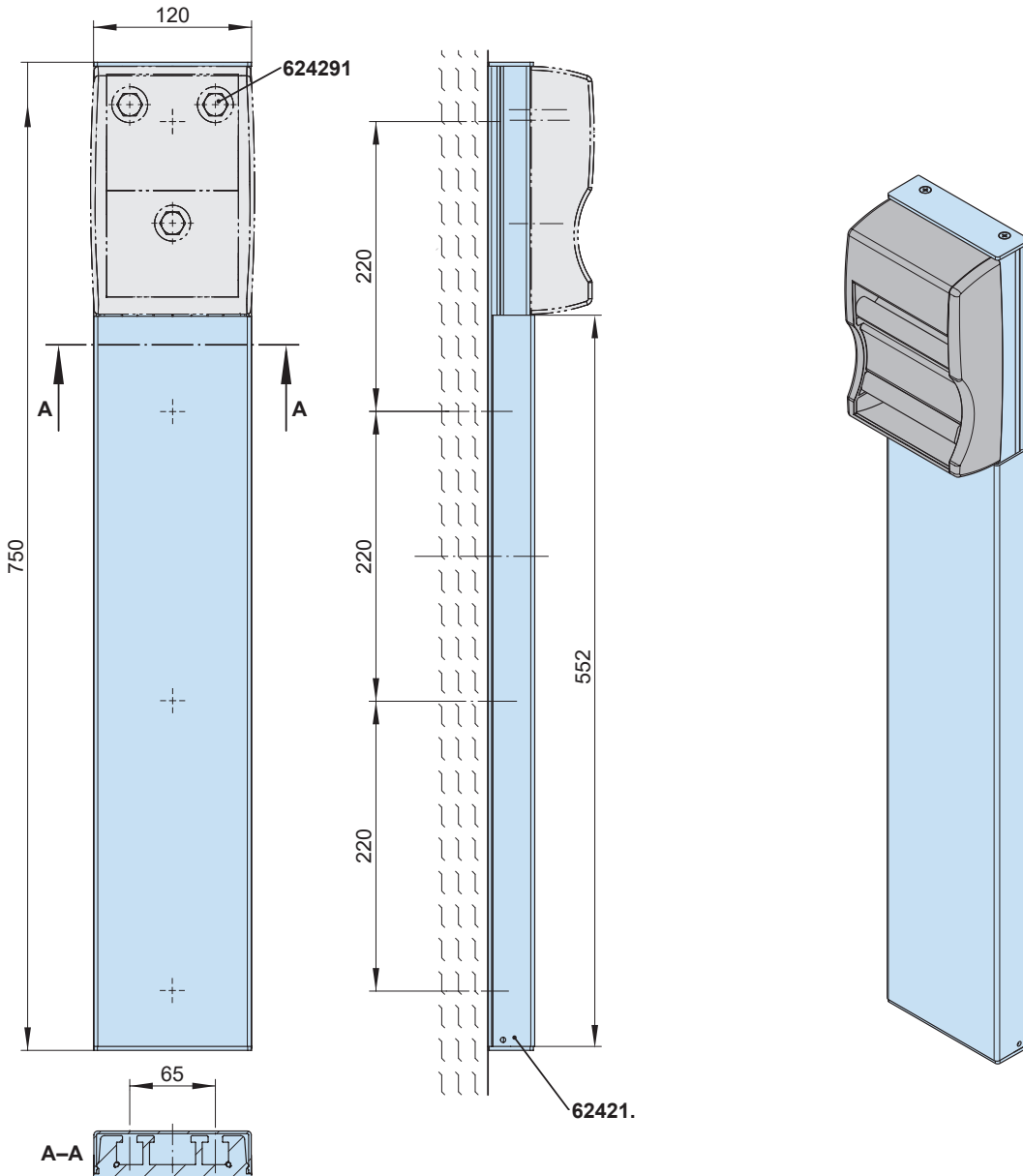
75885.



face fixture bracket cover cap right

100 mm

75886.



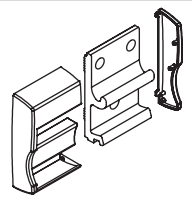
62421. = Sub-assembly vertical fixture rail
 624291 = Sub-assembly fixing material for vertical fixture rail

dimensions in mm

Face fixture with stand-off bracket

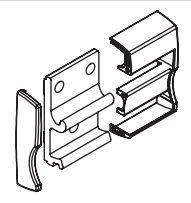
Fixtures, fittings and accessories

01
02
03
04
05
06
07
08



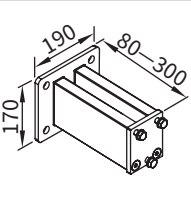
face fixture bracket cover cap left
100 mm

75885.



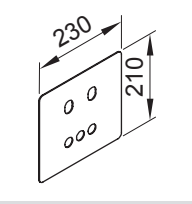
face fixture bracket cover cap right
100 mm

75886.



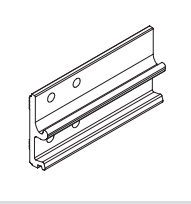
stand-off bracket
80-300 mm
for face fixture bracket 100 mm incl. insulating element

72872.



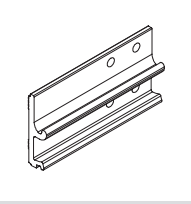
cover plate for spacer plate and stand-off brackets in the case of external insulation
230 × 210 × 2 mm

71843.



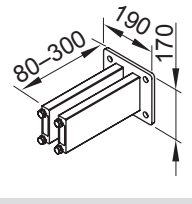
face fixture bracket left 300 mm

75877.



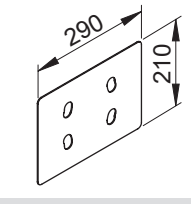
face fixture bracket right 300 mm

75878.



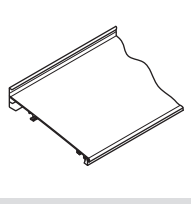
Stand-off bracket for face fixture bracket 75877. and 75878.
80-300 mm incl. insulating element

77968.



cover plate for spacer plate and stand-off brackets in the case of external insulation
290 × 210 × 2 mm

71841.



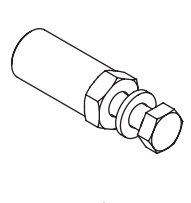
wall sealing profile incl. brush seal
by the metre

76385. and 704241.



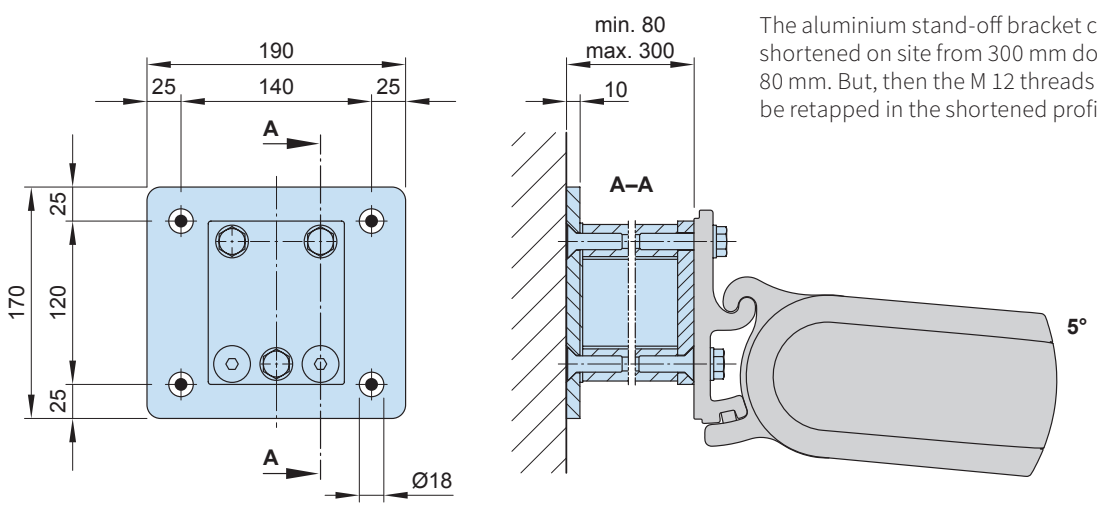
side cover wall sealing profile
left and right

60919. and 60920.



reduction bolt
pack 10 pcs

M 16 → M 12 | M 16 → M 10 | M 12 → M 10 | M 10 → M 10



The aluminium stand-off bracket can be shortened on site from 300 mm down to 80 mm. But, then the M 12 threads must be retapped in the shortened profiles.

dimensions in mm

01 **Top fixture**

02 Fixtures, fittings and accessories

03

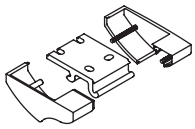
04

05

06

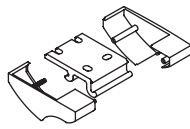
07

08



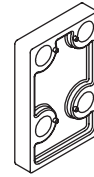
top fixture bracket cover cap left
100 mm

75887.



top fixture bracket cover cap right
100 mm

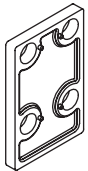
75888.



spacer plate for top fixture
90 × 140 × 20 mm

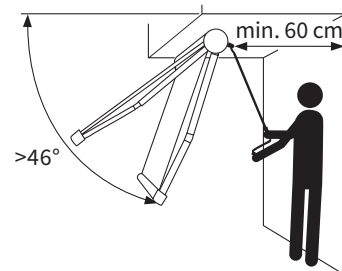
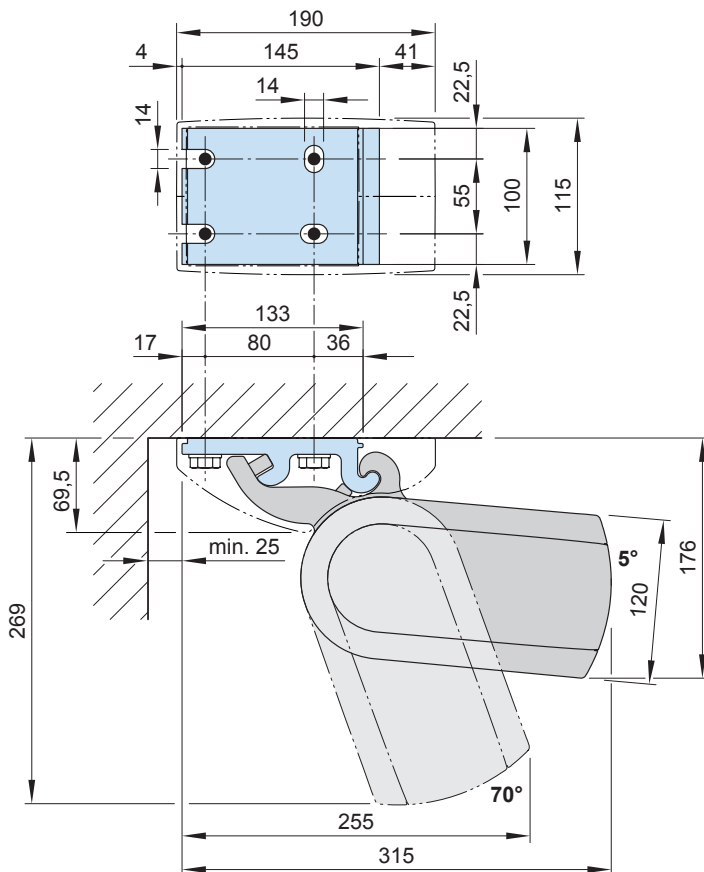
N.B.!
Stack to a max. height of 200 mm

716311



spacer plate for top fixture
90 × 140 × 12 mm

716411

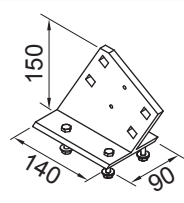


N.B.! At a pitch of more than 46° to the horizontal there must be an accessible area behind the awning at least 60 cm deep to allow manual operation incl. operation via radio-controlled motor with manual override. There are no limitations with motor systems.

dimensions in mm

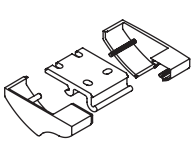
Eaves fixture

Fixtures, fittings and accessories



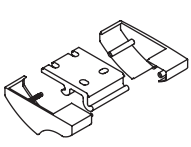
eaves fixture bracket
90 mm
150 mm plate

75889.



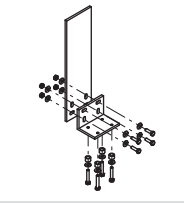
top fixture bracket
cover cap
left
100 mm

75887.



top fixture bracket
cover cap
right
100 mm

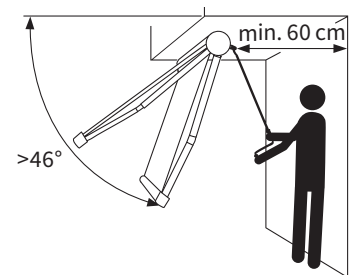
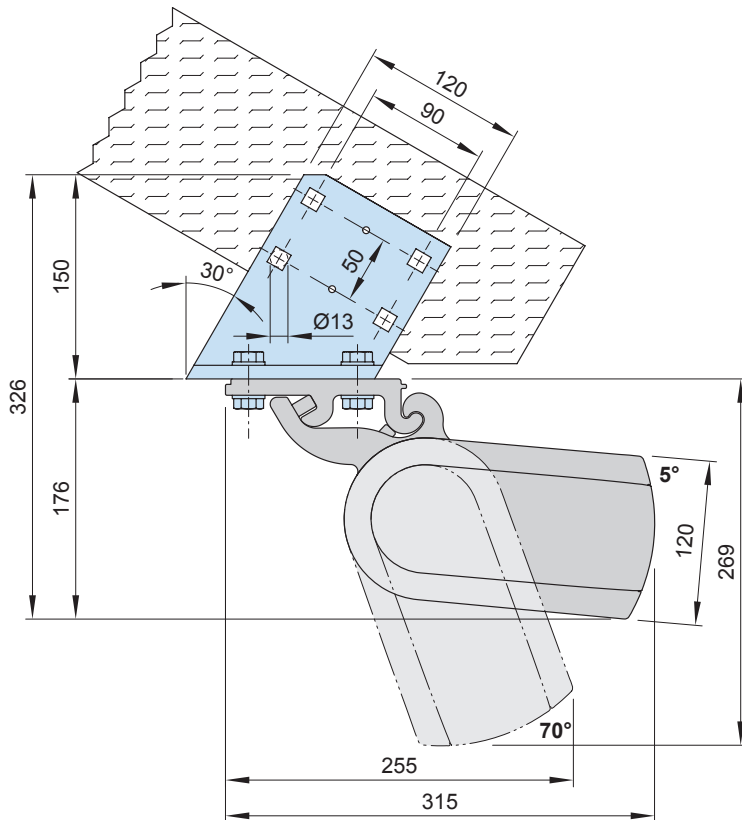
75888.



angle and plate for
eaves fixture
height of plate 500 mm
machine finish

716620

With eaves fixture bracket 150 mm (75889.)



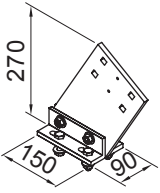
N.B.! At a pitch of more than 46° to the horizontal there must be an accessible area behind the awning at least 60 cm deep to allow manual operation incl. operation via radio-controlled motor with manual override. There are no limitations with motor systems.

dimensions in mm

01
02
03
04
05
06
07
08

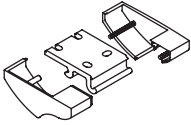
Eaves fixture

Fixtures, fittings and accessories



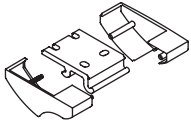
eaves fixture bracket
90 mm
height of flat plate
270 mm

71659.



top fixture bracket
cover cap
left
100 mm

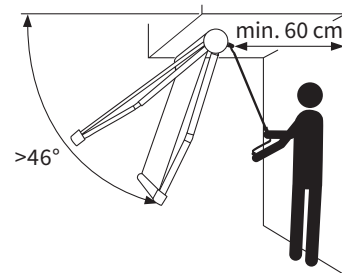
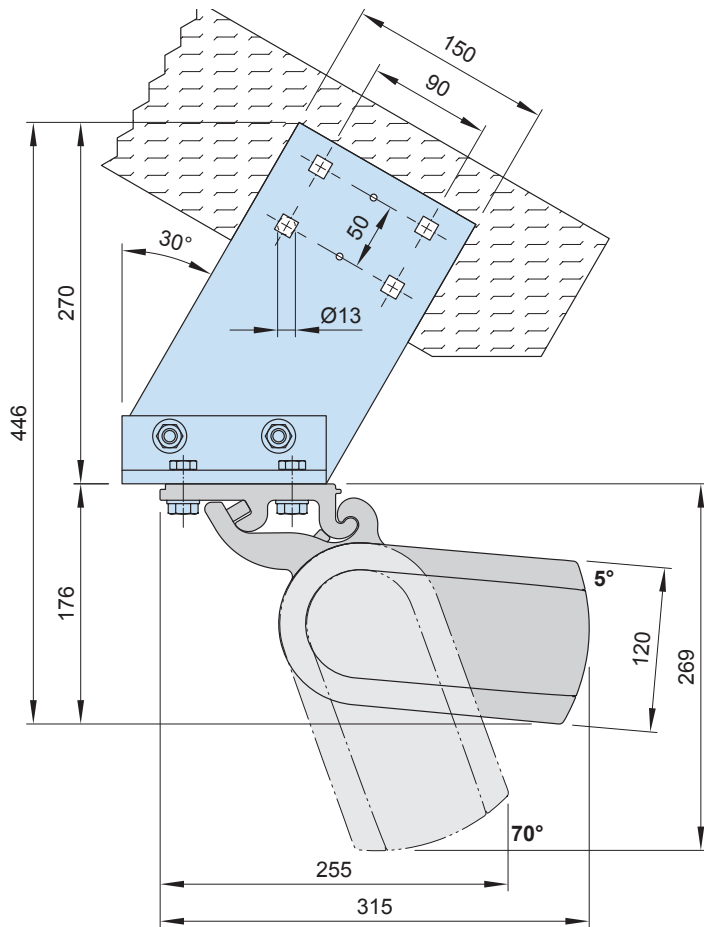
75887.



top fixture bracket
cover cap
right
100 mm

75888.

With eaves fixture bracket, top flat plate 270 mm (71659.)

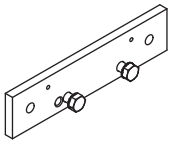


N.B.! At a pitch of more than 46° to the horizontal there must be an accessible area behind the awning at least 60 cm deep to allow manual operation incl. operation via radio-controlled motor with manual override. There are no limitations with motor systems.

dimensions in mm

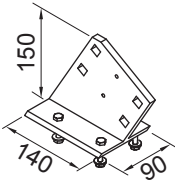
Eaves fixture with additional plate

Fixtures, fittings and accessories



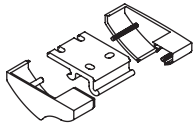
supplementary flat plate for eaves fixture
260 × 60 × 12 mm

75383.



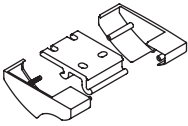
eaves fixture bracket 90 mm
150 mm plate

75889.



top fixture bracket cover cap left
100 mm

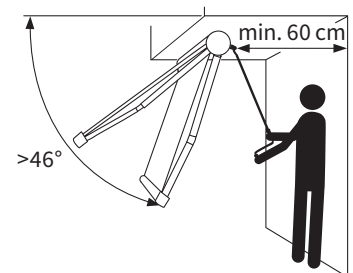
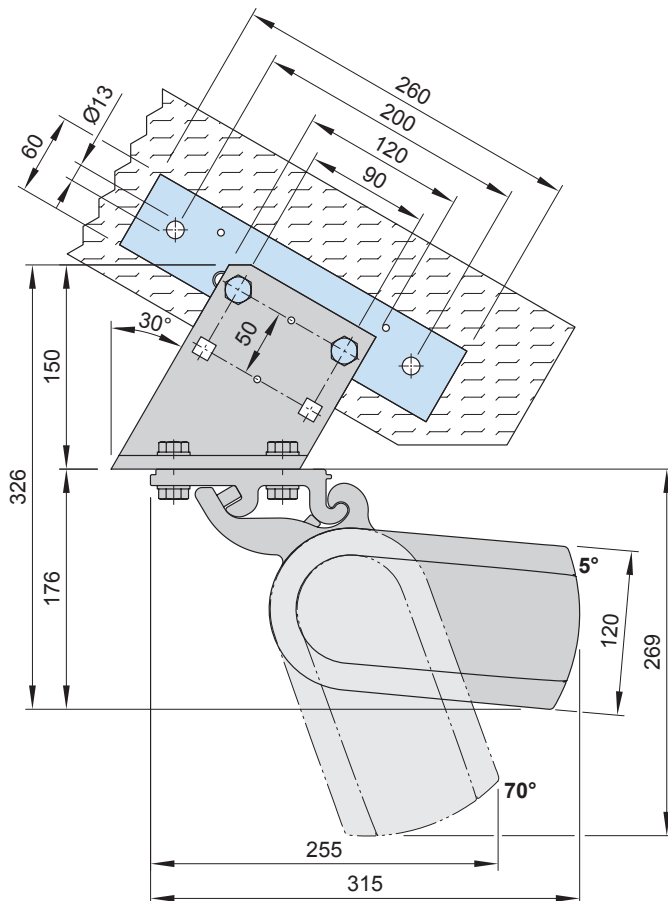
75887.



top fixture bracket cover cap right
100 mm

75888.

With eaves fixture bracket 150 mm (75889.)



N.B.! At a pitch of more than 46° to the horizontal there must be an accessible area behind the awning at least 60 cm deep to allow manual operation incl. operation via radio-controlled motor with manual override. There are no limitations with motor systems.

dimensions in mm

01
02
03
04
05
06
07
08

01 **Eaves fixture with additional plate**

02 **Fixtures, fittings and accessories**

03

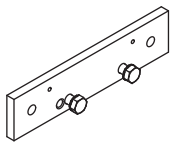
04

05

06

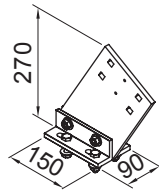
07

08



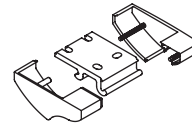
supplementary flat plate for eaves fixture
260 × 60 × 12 mm

75383.



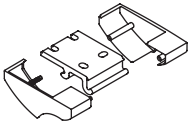
eaves fixture bracket 90 mm
height of flat plate 270 mm

71659.



top fixture bracket cover cap left
100 mm

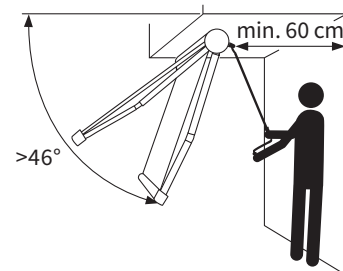
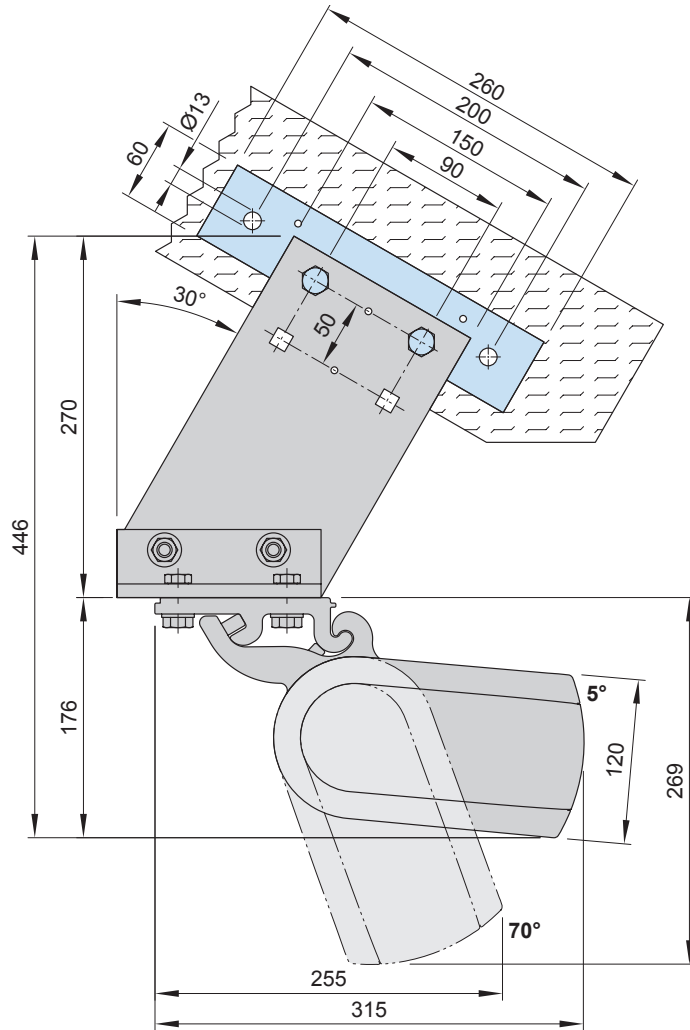
75887.



top fixture bracket cover cap right
100 mm

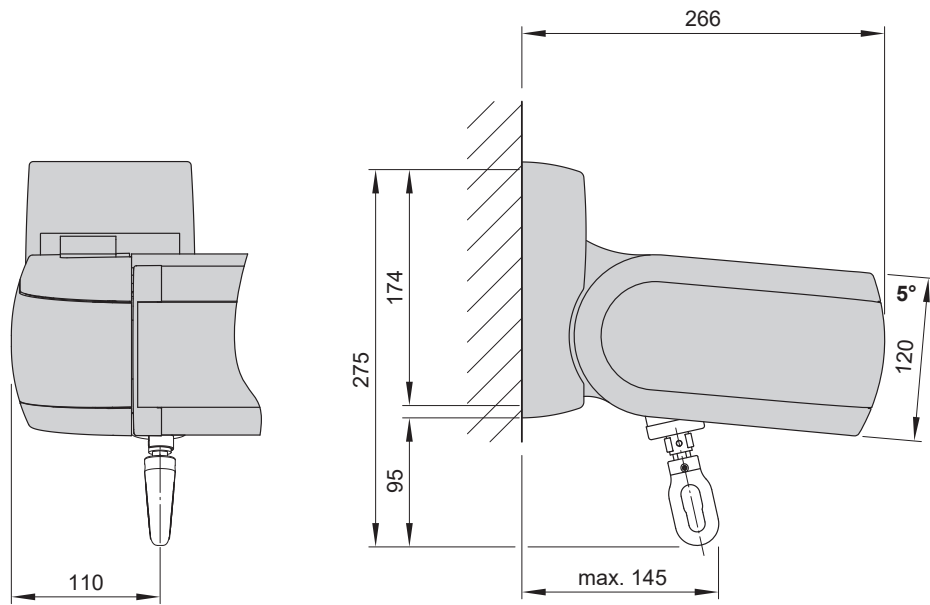
75888.

With eaves fixture bracket, top flat plate 270 mm (71659.)



N.B.! At a pitch of more than 46° to the horizontal there must be an accessible area behind the awning at least 60 cm deep to allow manual operation incl. operation via radio-controlled motor with manual override. There are no limitations with motor systems.

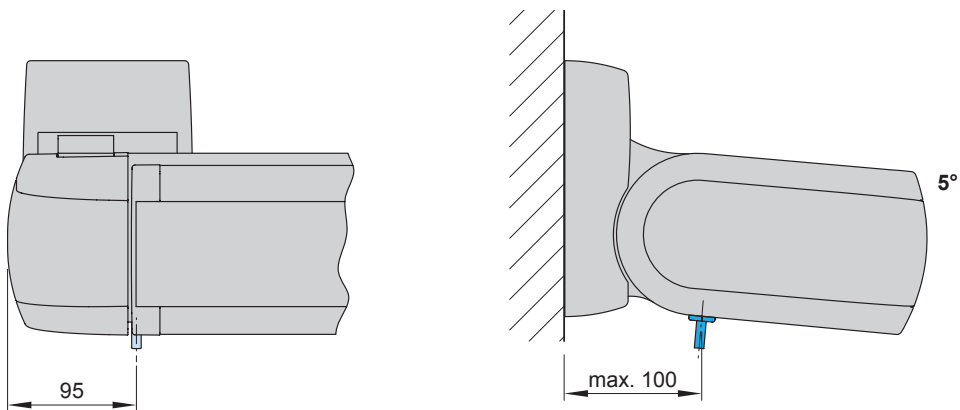
dimensions in mm

Face fixture, manual operation ¹⁾

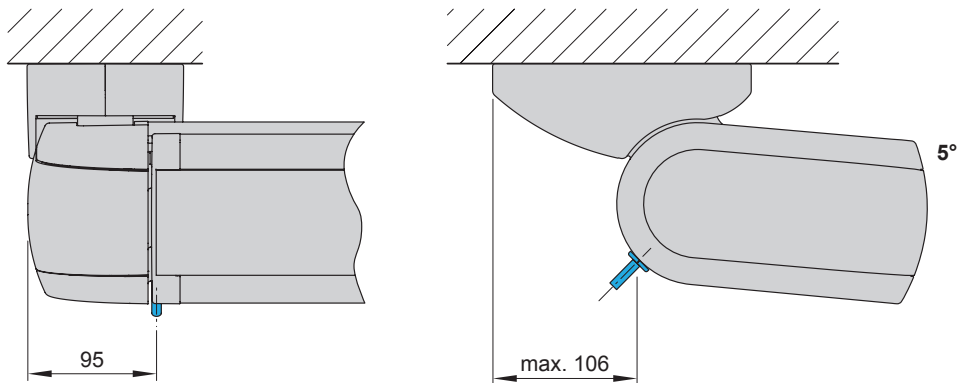
01
02
03
04
05
06
07
08

Motor / lighting cable exit point ^{1) 2)}

Face fixture



Top fixture



1) depending on the operation side, left or right

2) depending on the accessories ordered, one or two power supply cables (awning motor | lighting)

dimensions in mm

01

02

03

04

05

06

07

08