



Cassette awning

markilux 990

The compact markilux with folding arms – svelte, attractive and functional.

Product Characteristics

Wind resistance class 2
Beaufort 5 → 7.5–10.4 m/s → 28–37 km/h → 17–23 mph

01
02
03
04
05
06
07
08
09



10

11
12
13
14
15
16
17

1) face fixture



1) face fixture, maximum pitch of 35°



1) top fixture



1) top fixture, view from the rear



2) twin steel-link chain, corrosion protected



2) bionic tendon made of high-tech fibres for optimum power transference ¹⁾



● during extension



3) wall sealing profile ¹⁾, end cap insert in polished chrome



1) Optional accessories

Product Characteristics

Description

- the perfectly designed compact cassette awning. The outstanding “lightweight” for balcony and patio

Special features

- self-supporting cassette profile construction, the brackets being installed at each end of the awning – also suitable for bridging larger distances
- cassette with arms situated in front and at each end, which – when the awning is closed – are encompassed fully by the front profile lending a harmonious overall appearance to the awning
- even when the awning is fully extended, the roller tube is completely protected

Dimensions

- cassette in the standard version: depth 217 mm, height 124 mm
- single unit: minimum width 179 cm at the smallest projection of 150 cm, maximum width 500 cm at the largest projection of 300 cm

Roller tube and lateral bearings

- round roller tube Ø 85 mm with keyway, galvanised steel – excellent stability, ensures near perfect cover performance even at the largest widths
- the arm bearer is made of die-cast aluminium, powder coated, with integrated, infinitely variable pitch setting mechanism

Blind profiles

- extruded aluminium, in façade quality, powder coated
- cassette in two parts
- semi-circular front profile with integrated gutter

Folding arms

- profiles in extruded aluminium, in façade quality, powder coated
- moving parts made of drop-forged aluminium - the arms are therefore extremely fracture resistant
- pivot bolts in stainless steel run in Teflon-coated bronze bushes - practically maintenance free, virtually silent and extremely hard wearing
- power transference via corrosion-protected twin steel-link chains at the elbow joint, optionally with innovative bionic tendon made of high tensile, high-tech fibre – low in friction, noiseless, insensitive to corrosion and UV resistant

End caps

- the cassette insert sections are made of high-quality plastic, powder coated or in a polished chrome finish
- the front profile end caps are made of high-quality plastic, powder coated, with water drainage holes

Fixture brackets

- face fixture, top fixture, eaves fixture
- extruded aluminium, powder coated
- also available in individual widths (on request)
- pitch range 5°–35° (face fixture)
- 5°–70° (top or eaves fixture)
- spacer plates, stand-off brackets and other accessories are available

01 **Frame and end cap colours**

markilux frame colours without surcharge

02

traffic white, RAL 9016

metallic aluminium, RAL 9006

grey brown, similar to RAL 8019

03



04

05

06

07

off-white textured finish, 5233 ¹⁾stone grey metallic, 5215 ¹⁾anthracite metallic, 5204 ¹⁾

08

09

10



11

12

havana brown textured finish, 5229 ¹⁾

13



14

15

16

17

off-white textured finish, 5233 ¹⁾
end cap insert in polished chromestone grey metallic, 5215 ¹⁾
end cap insert in polished chromeanthracite metallic, 5204 ¹⁾
end cap insert in polished chrome

Combination options – possible in any frame colour.

Non-standard powder-coated finish

Bespoke frame colours incur a surcharge – matt, metallic, finely textured and pearl finishes as well as other colour ranges (DB, Tiger etc.) on request. All frame colours are available at a surcharge with enhanced corrosion protection.

Colours may differ slightly from those depicted in both hue and finish.

1) textured finish

Dimensions and configuration options

Single unit

		Overall awning width						Minimum width	
		250	300	350	400	450	500	Motor	Crank handle
Order dimensions		179	251	301	351	401	451		
		250	300	350	400	450	500		
H	150	1) ¹⁾						179	179
	200	1) ¹⁾						229	229
	250	—	1) ¹⁾					279	279
	300	—	—	1) ¹⁾				329	329

dimensions in cm

1) = please note the minimum widths!

= 2 standard arms,
2 brackets

H = projection

Operation

	standard	optional	Coupled awnings
crank handle	✓	—	not available
spring-assisted crank handle	—	✓	
hard-wired motor	—	✓	
silentec motor (optionally with external radio receiver io / RTS)	—	—	
radio-controlled motor io, 868 MHz	—	✓	
radio-controlled motor RTS, 433 MHz	—	✓	
868 MHz radio-controlled motor io with manual override	—	✓	

Awning cover

	fabric pattern no.	standard	optional	Shadeplus
sunvas	300.. - 315..	✓	—	not available
sunsilk	324.. / 328.. / 369..	✓	—	
sunbow	411.. - 427..	✓	—	
smart art	340..	—	✓	
perla FR	371.. / 372..	—	✓	
valance, height 20 cm		—	✓	

01	Optional accessories
02	folding-arm technology with bionic tendon
03	valance
04	wall sealing profile, up to a pitch of 35°
05	infrared heater 2500 W
06	infrared heater 2500 W with integrated radio-controlled receiver 868 MHz io
07	LED spotline – light bar 110 × 70 mm with 5 W LED spotlights, 180 cm / 3 spots or 300 cm / 5 spots
08	LED spotline io – light bar 110 × 70 mm with 5 W LED spotlight-integrated dimmable radio-controlled receiver, width 180 cm / 3 spots or 300 cm / 5 spots
09	automatic controls (light, wind, rain)
10	N.B. Important background information can be found in the chapter “Optional Accessories”

Fixture options	
face fixture bracket 150 mm	71624.
face fixture bracket 300 mm, left	70617.
face fixture bracket 300 mm, right	70600.
spreader plate A face fixture	75326.
spreader plate B face fixture	75325.
markilux panel 250 × 230 × 49 mm	76308.
markilux panel continuous	701104
Vertical fixture rail	62421.
stand-off bracket for face-fixture bracket 70617. und 70600.	77968.
top fixture bracket 150 mm	71625.
eaves fixture bracket 90 mm plate 150 mm plate	71612.
eaves fixture bracket 90 mm plate 270 mm plate	71659.
flat plate and angled bracket for eaves fixture, machine finish plate 500 mm	716620
spreader plate 260 × 60 × 12 mm	75383.

10

11

No. of brackets | No. of fixing points

12

13

14

15

16

17

		Overall awning width					
		250	300	350	400	450	500
Order dimensions		179	251	301	351	401	451
		250	300	350	400	450	500
		No. of brackets No. of fixing points					
W	15	2 6					
BP		A 2 16 B 2 8					
PA		2 8					
DA / DE	15	2 8					

dimensions in cm

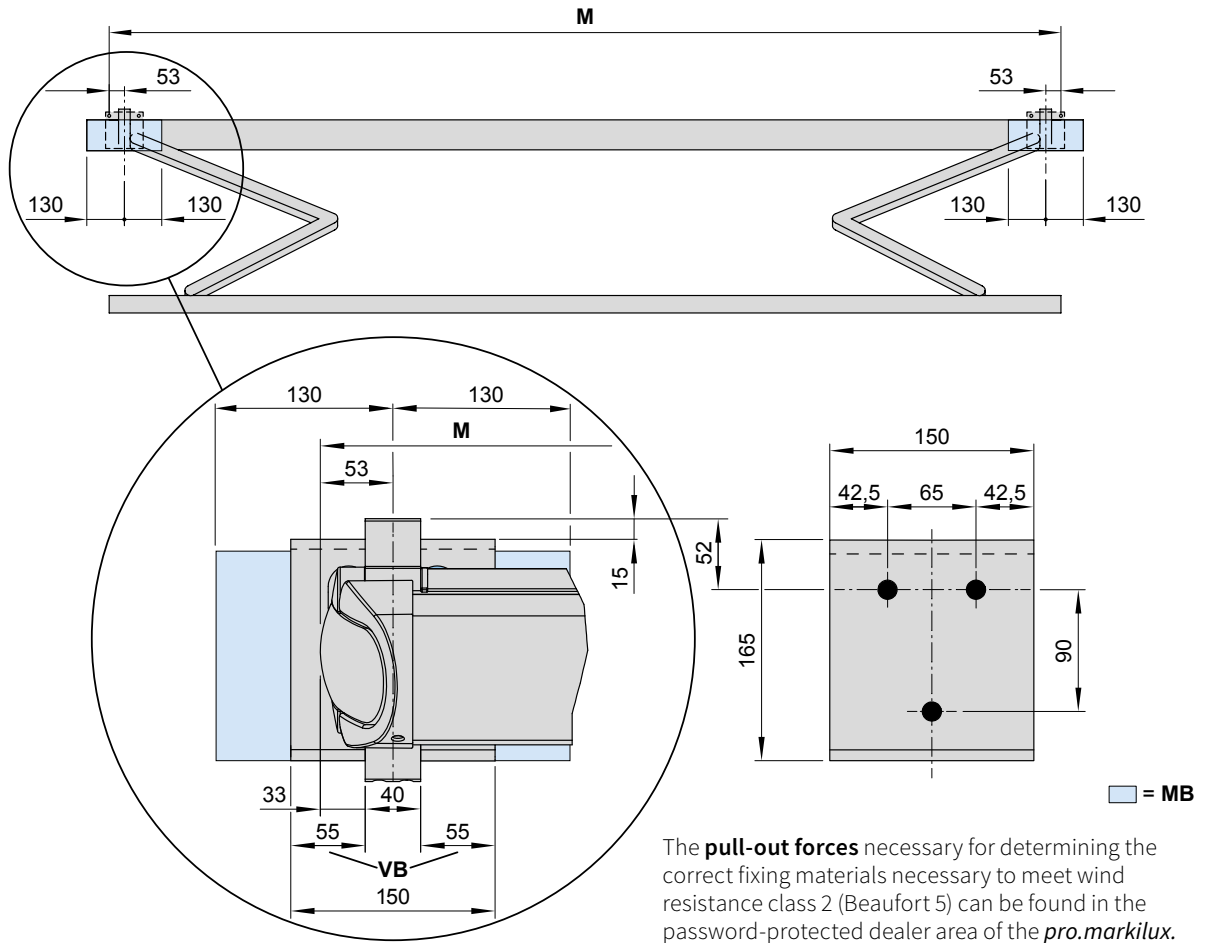
If the brackets cannot be positioned in accordance with this table, make sure the actual dimensions are noted on the order form.

The **pull-out forces** necessary for determining the correct fixing materials necessary to meet wind resistance class 2 (Beaufort 5) can be found in the password-protected dealer area of the pro.markilux.com website under “Pull-out Forces”.

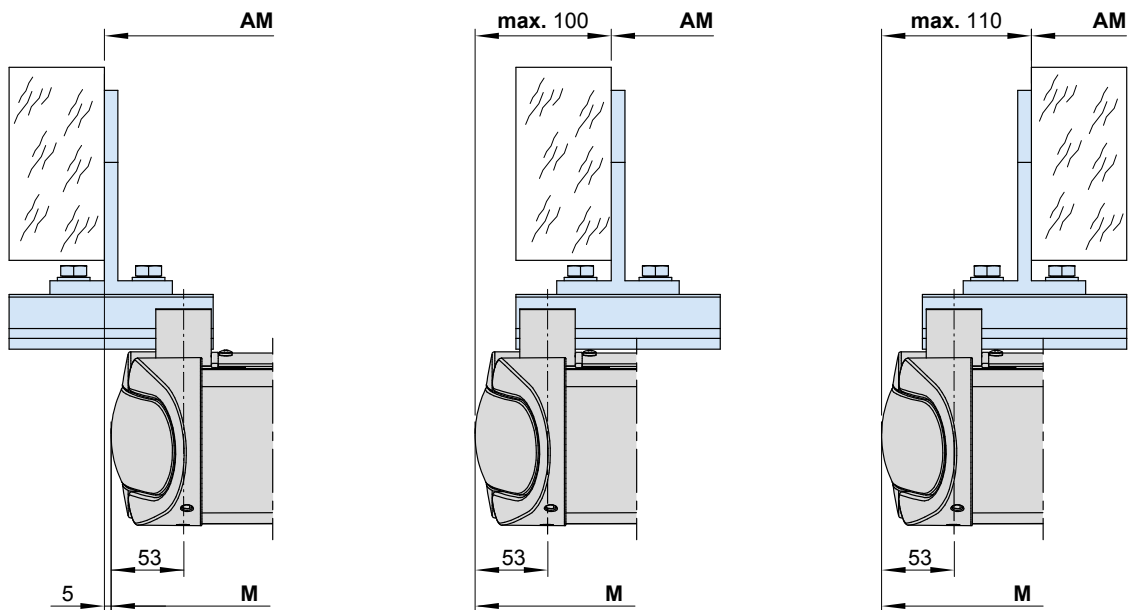
A	= arm position
BHT	= bracket width
BP	= spreader plate (A or B)
DA	= eaves fixture brackets
DE	= top fixture brackets
H	= order dimension = projection
M	= order dimension = awning width
PA	= markilux panel, fixture profile, width 250 mm
W	= face fixture brackets

Bracket fixture range

Face and top fixture



Eaves fixture

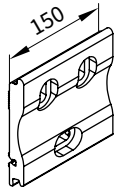


- AM** = installation dimensions
- M** = **order width** = awning width
- MB** = bracket fixture range
- VB** = adjustment range, face fixture bracket

dimensions in mm

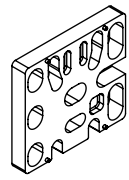
Face fixture

Fixtures, fittings and accessories



face fixture bracket
150 mm

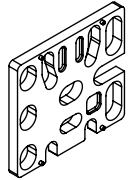
71624.



spacer plate
for face/top fixture
150 × 136 × 20 mm

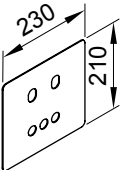
N.B!
stack to a max. height of
200 mm

716331



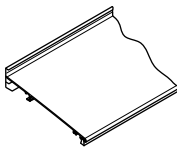
spacer plate for face
fixture
150 × 136 × 12 mm

71644.



cover plate for spacer
plate and stand-off
brackets in the case of
external insulation
230 × 210 × 2 mm

71843.



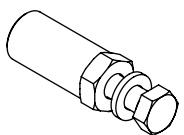
wall sealing profile
incl. brush seal
by the metre

76385. and 704241.



side cover
wall sealing profile
left and right

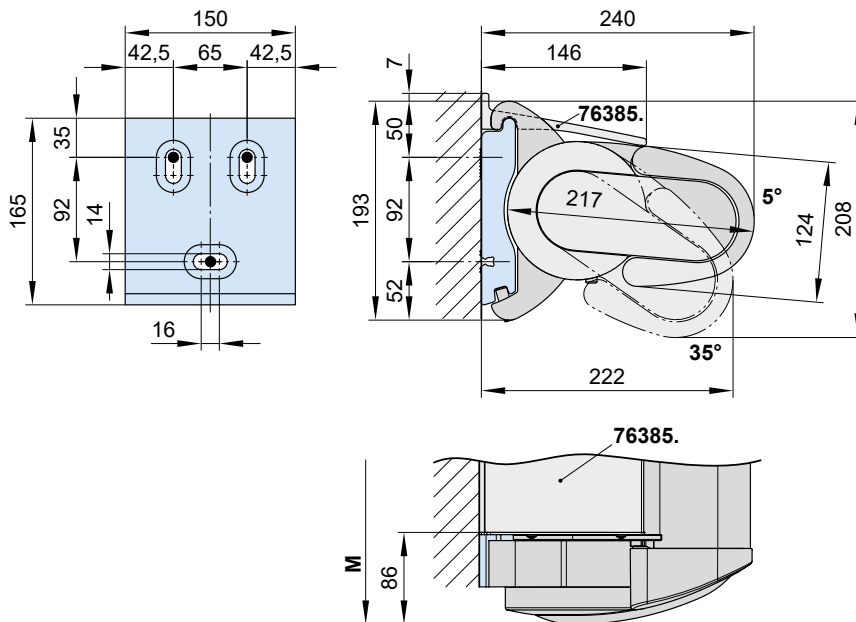
60923. and 60924.



reduction bolt
pack 10 pcs

M 16 → M 12 | M 16 → M 10 | M 12 → M 10 | M 10 → M 10

The **pull-out forces** necessary for determining the correct fixing materials necessary to meet wind resistance class 2 (Beaufort 5) can be found in the password-protected dealer area of the pro.markilux.com website under "Pull-out Forces".

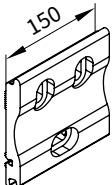


76385. = wall sealing profile (standard width = awning width (M) - 168 mm; up to a maximum awning pitch of 35°)

dimensions in mm

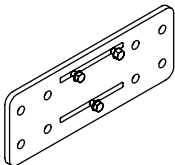
Face fixture with spreader plate A

Fixtures, fittings and accessories



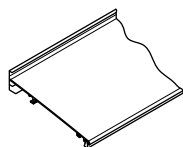
face fixture bracket
150 mm

71624.



spreader plate A face
fixture
430 × 160 × 12 mm

75326.



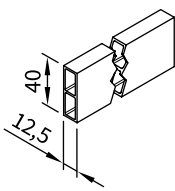
wall sealing profile
incl. brush seal
by the metre

76385. and 704241.



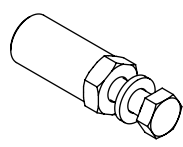
side cover
wall sealing profile
left and right

60923. and 60924.



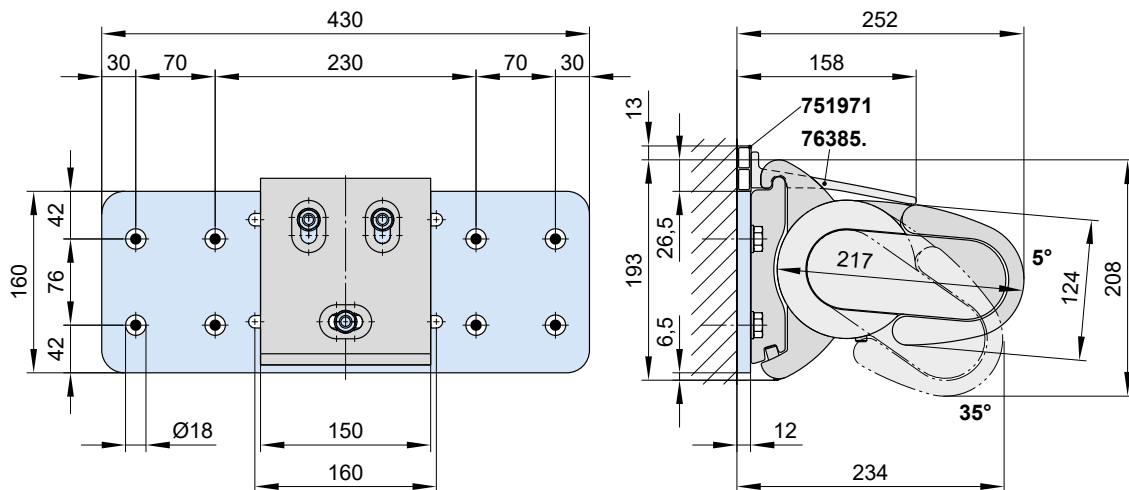
stand-off strip
for wall sealing
by the metre

751971



reduction bolt
pack 10 pcs

M 16 → M 12 | M 16 → M 10 | M 12 → M 10 | M 10 → M 10



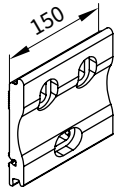
751971 = stand-off strip for wall sealing profile
76385. = wall sealing profile (standard width = awning width (M) – 168 mm;
 up to a maximum awning pitch of 35°)

dimensions in mm

01
02
03
04
05
06
07
08
09
10
11
12
13
14
15
16
17

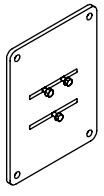
01 **Face fixture with spreader plate B**

02 Fixtures, fittings and accessories

03  face fixture bracket
150 mm

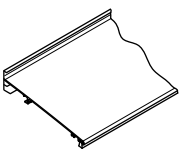
04

05 **71624.**

03  spreader plate B face
fixture
300 × 400 × 12 mm

04

05 **75325.**

03  wall sealing profile
incl. brush seal
by the metre

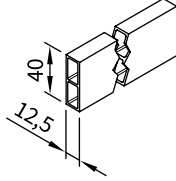
04

05 **76385. and 704241.**

06  side cover
wall sealing profile
left and right

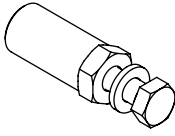
07

08 **60923. and 60924.**

06  stand-off strip
for wall sealing
by the metre

07

08 **751971**

06  reduction bolt
pack 10 pcs

07

08

09 M 16 → M 12 | M 16 → M 10 | M 12 → M 10 | M 10 → M 10

10

11

12

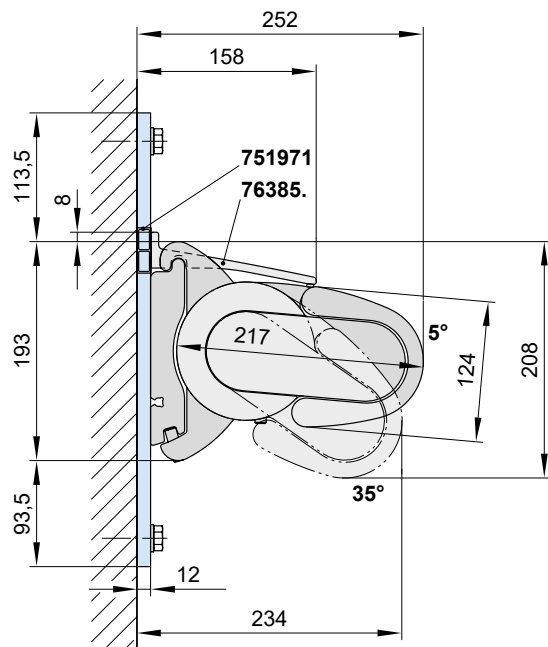
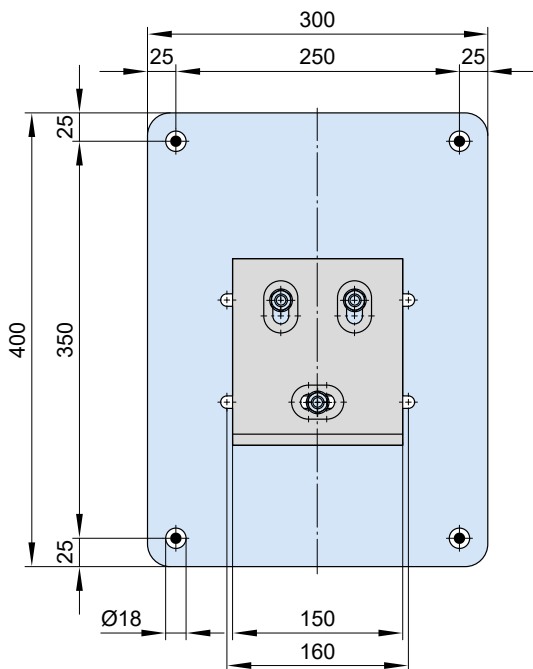
13

14

15

16

17

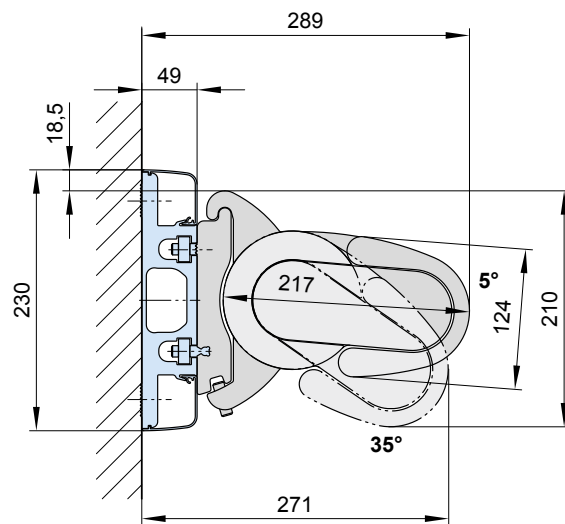
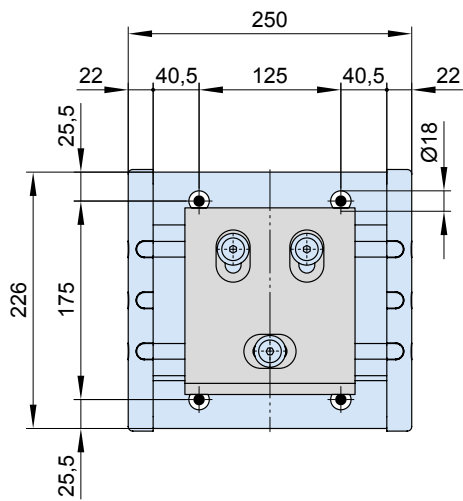
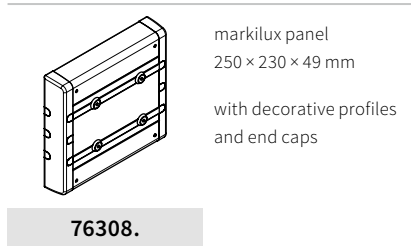
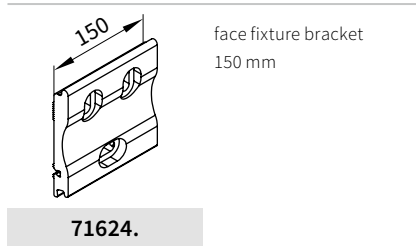


751971 = stand-off strip for wall sealing profile
76385. = wall sealing profile (standard width = awning width (M) - 168 mm;
 up to a maximum awning pitch of 35°)

dimensions in mm

Face fixture using the markilux panel 250 mm wide

Fixtures, fittings and accessories

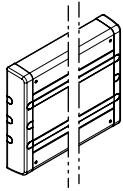
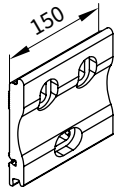
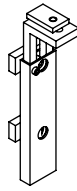
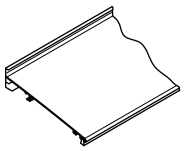
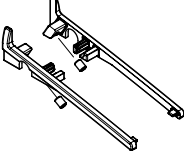


dimensions in mm

- 01
- 02
- 03
- 04
- 05
- 06
- 07
- 08
- 09
- 10**
- 11
- 12
- 13
- 14
- 15
- 16
- 17

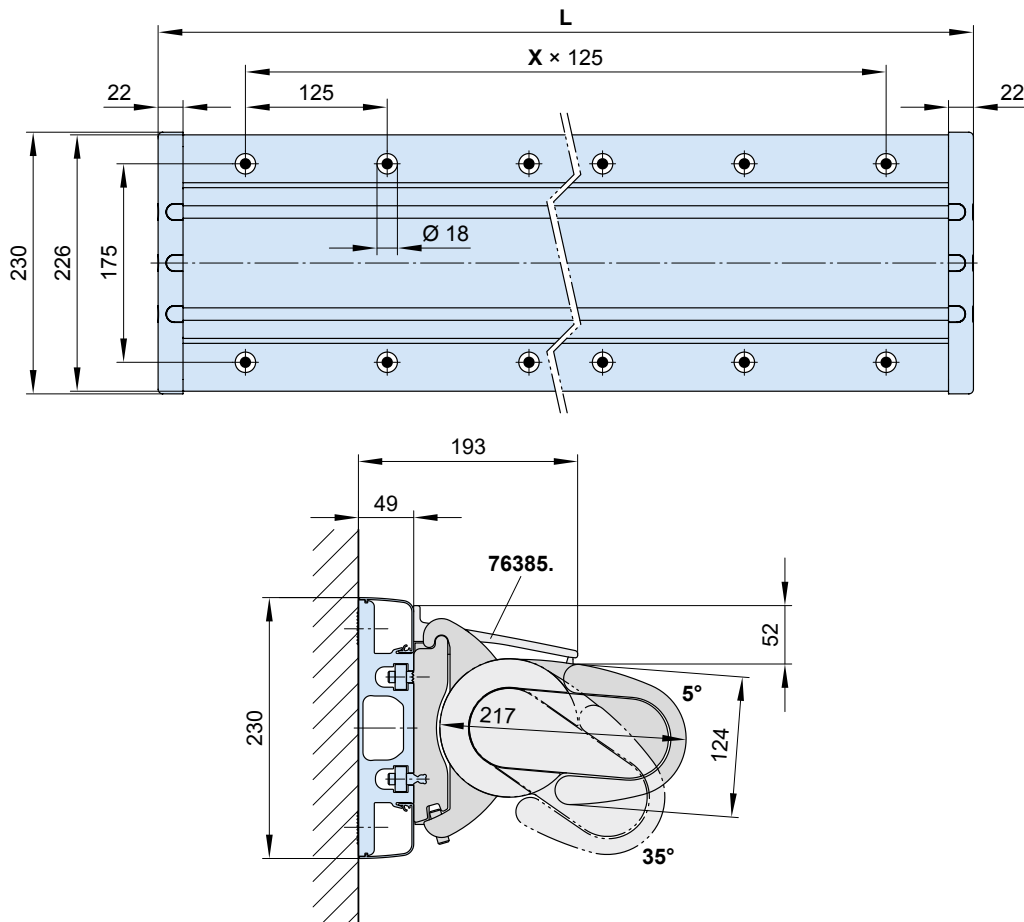
Continuous face fixture using the markilux panel

Fixtures, fittings and accessories

 <p>markilux panel continuous with decorative profiles and end caps</p> <p>701104</p>	 <p>face fixture bracket 150 mm</p> <p>71624.</p>	 <p>bracket for wall sealing profile</p> <p>76387.</p>
 <p>wall sealing profile incl. brush seal by the metre</p> <p>76385. and 704241.</p>	 <p>side cover wall sealing profile left and right</p> <p>60923. and 60924.</p>	

10 As a **continuous fixture profile**, the markilux panel will always be supplied to order on the basis of a technical drawing prepared in the factory in accordance with the awning specification.

The technical drawing shows the fixture points and pull-out forces and must be approved in writing.

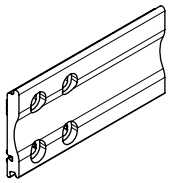


- 76385.** = wall sealing profile (standard width = M - 168 mm; up to a maximum awning pitch of 35°)
- L** = individual width, max. 7000 mm, (standard $L = M + 20$ mm)
- X** = fixing point separation, by way of example

dimensions in mm

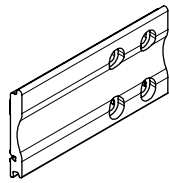
01 **Face fixture with stand-off bracket**

02 **Fixtures, fittings and accessories**



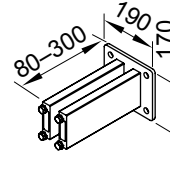
face fixture bracket
300 mm, left

70617.



face fixture bracket
300 mm, right

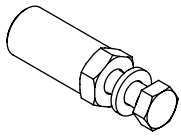
70600.



Stand-off bracket
for face fixture bracket
70617. and 70600.

80-300 mm
incl. insulating element

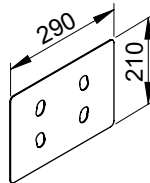
77968.



reduction bolt

pack 10 pcs

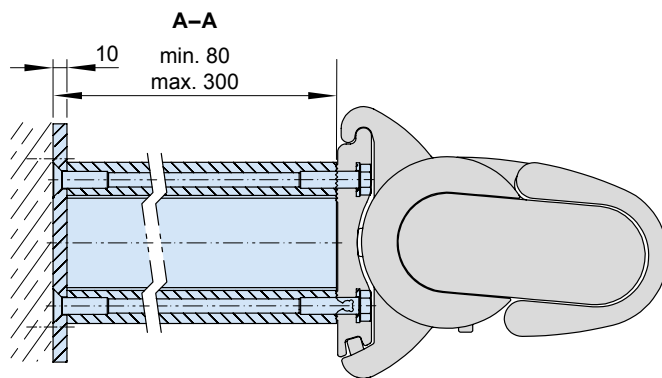
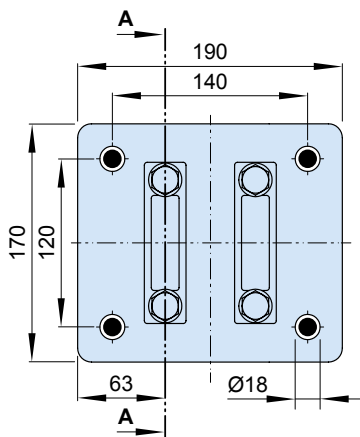
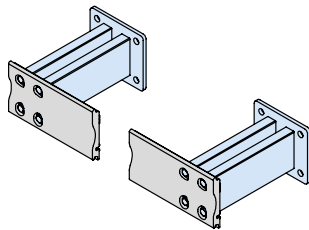
M 16 → M 12 | M 16 → M 10 | M 12 → M 10 | M 10 → M 10



cover plate for spacer
plate and stand-off
brackets in the case of
external insulation
290 × 210 × 2 mm

71841.

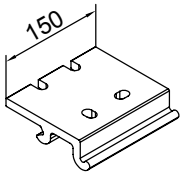
10



dimensions in mm

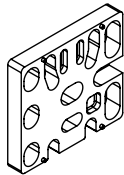
Top fixture

Fixtures, fittings and accessories



top fixture bracket
150 mm

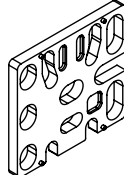
71625.



spacer plate
for face/top fixture
150 × 136 × 20 mm

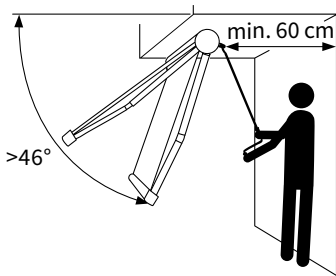
N.B.!
stack to a max. height of
200 mm

716331

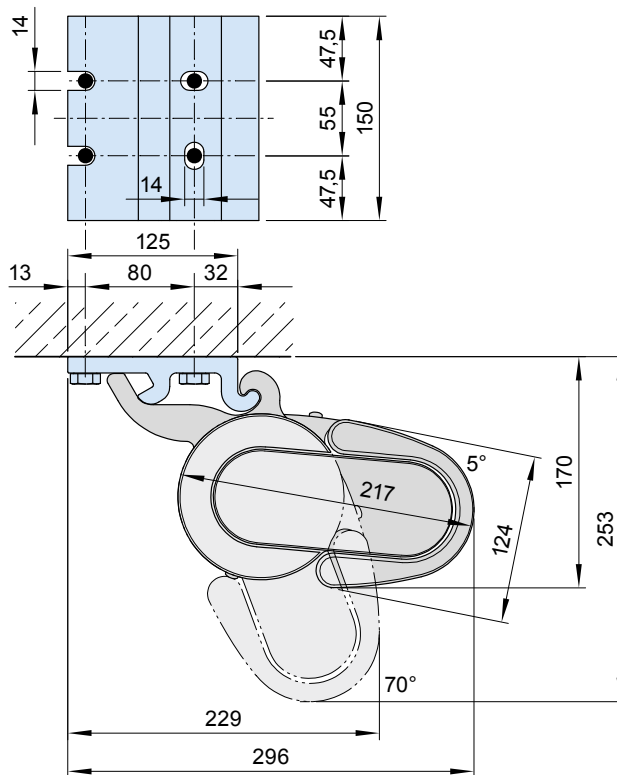


spacer plate for face
fixture
150 × 136 × 12 mm

71644.



N.B.! At a pitch of more than 46° to the horizontal there must be an accessible area behind the awning at least 60 cm deep to allow manual operation incl. operation via radio-controlled motor with manual override. There are no limitations with motor systems.

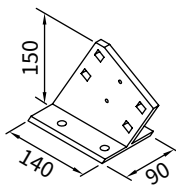


dimensions in mm

01
02
03
04
05
06
07
08
09
10
11
12
13
14
15
16
17

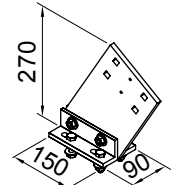
Eaves fixture

Fixtures, fittings and accessories



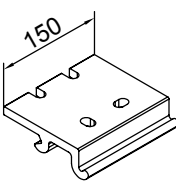
eaves fixture bracket
90 mm
height of flat plate
150 mm

71612.



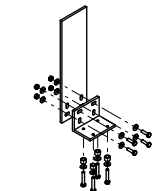
eaves fixture bracket
90 mm
height of flat plate
270 mm

71659.



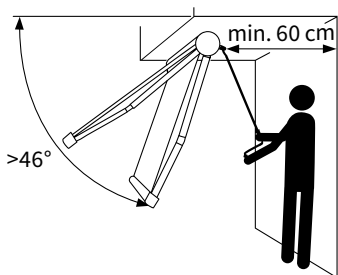
top fixture bracket
150 mm

71625.



angle and plate for
eaves fixture
height of plate 500 mm
machine finish

716620

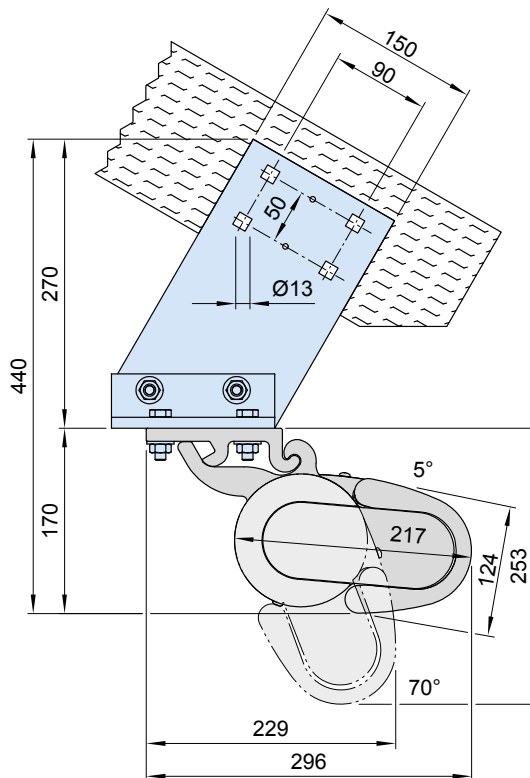
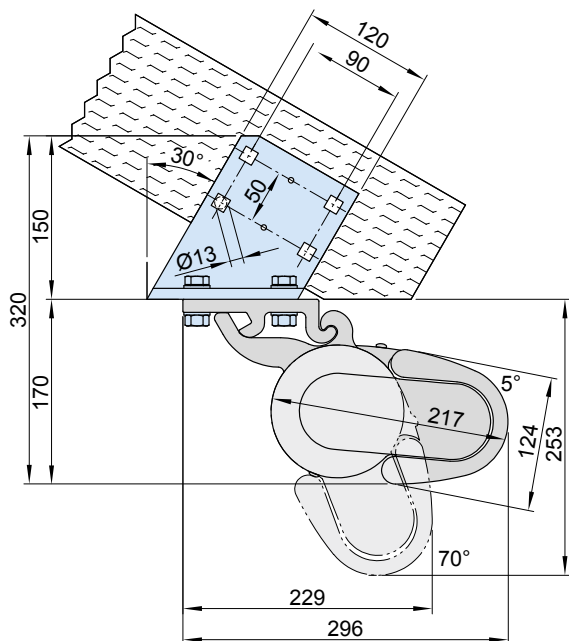


N.B.! At a pitch of more than 46° to the horizontal there must be an accessible area behind the awning at least 60 cm deep to allow manual operation incl. operation via radio-controlled motor with manual override. There are no limitations with motor systems.

10

With eaves fixture bracket, 150 mm (71612.)

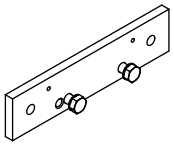
With eaves fixture bracket, 270 mm (71659.)



dimensions in mm

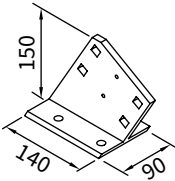
Eaves fixture with additional plate

Fixtures, fittings and accessories



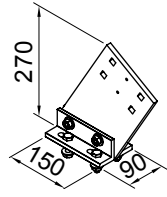
supplementary flat plate for eaves fixture
260 × 60 × 12 mm

75383.



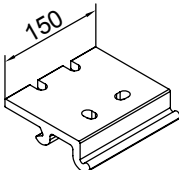
eaves fixture bracket 90 mm
height of flat plate 150 mm

71612.



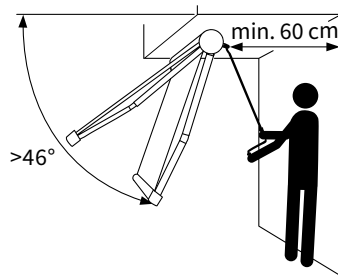
eaves fixture bracket 270 mm
height of flat plate 270 mm

71659.



top fixture bracket 150 mm

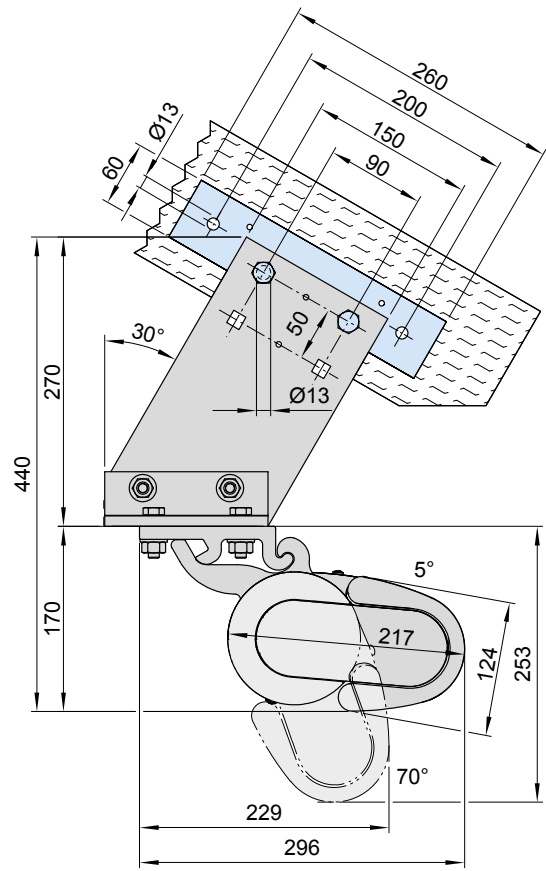
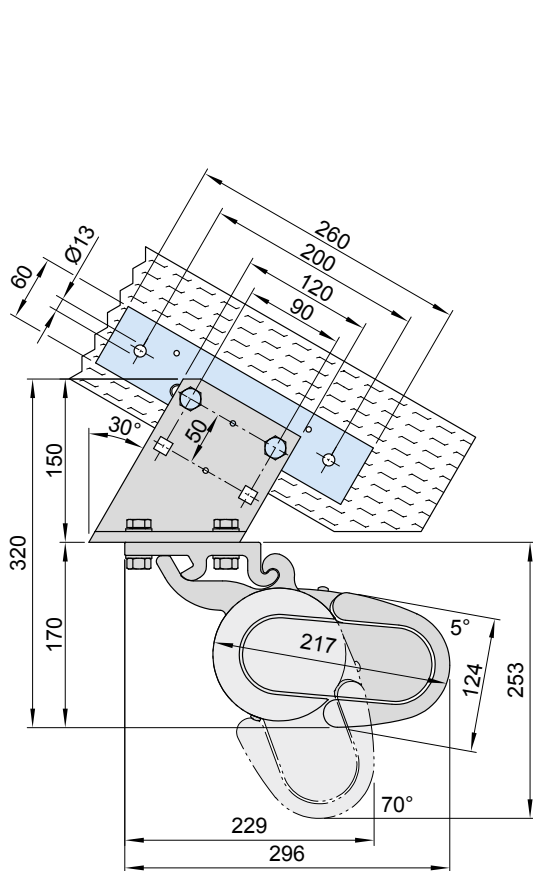
71625.



N.B.! At a pitch of more than 46° to the horizontal there must be an accessible area behind the awning at least 60 cm deep to allow manual operation incl. operation via radio-controlled motor with manual override. There are no limitations with motor systems.

With eaves fixture bracket 150 mm (71612.)

With eaves fixture bracket 270 mm (71659.)

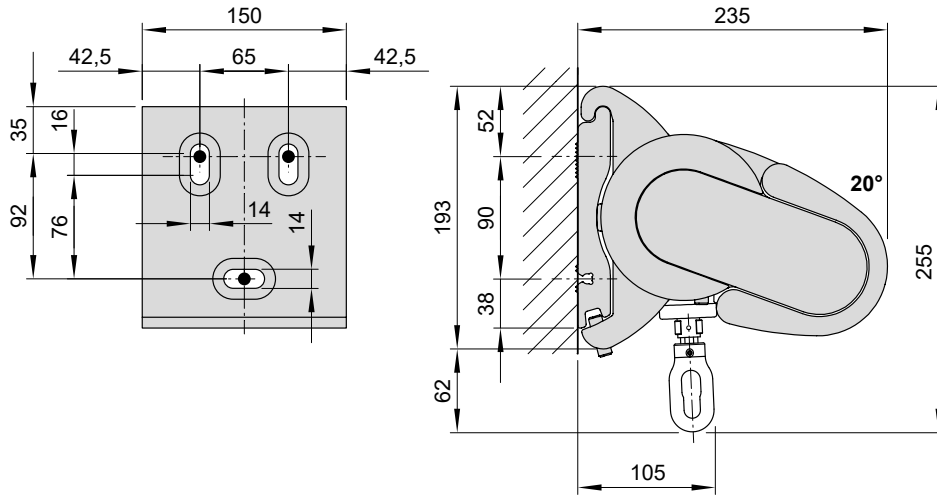


dimensions in mm

01
02
03
04
05
06
07
08
09
10
11
12
13
14
15
16
17

01 **Face fixture, manual operation**

02 Lateral view



10

dimensions in mm

11

12

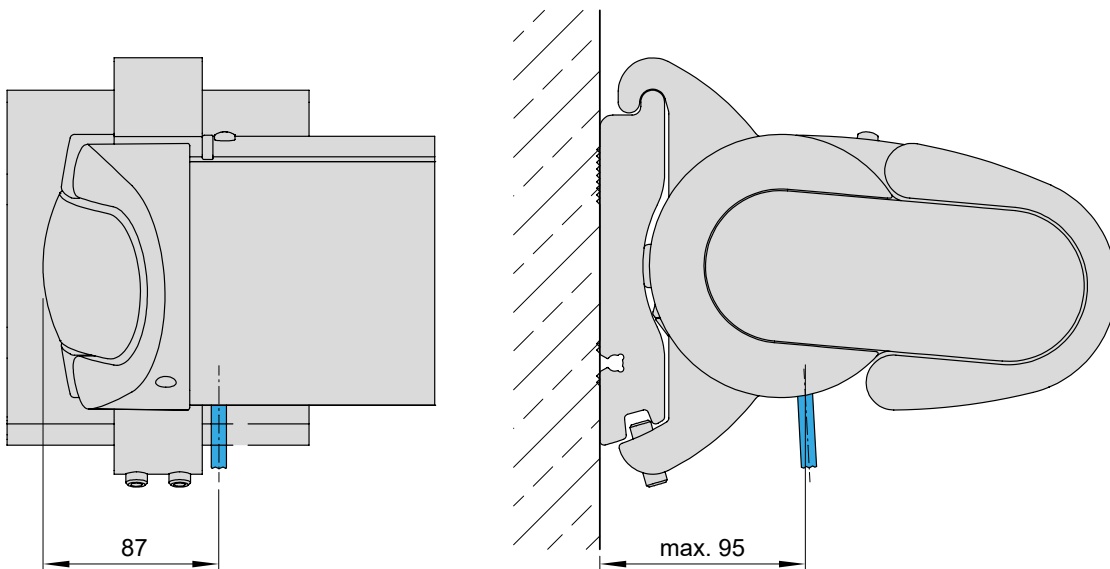
13

14 **Motor cable exit point**

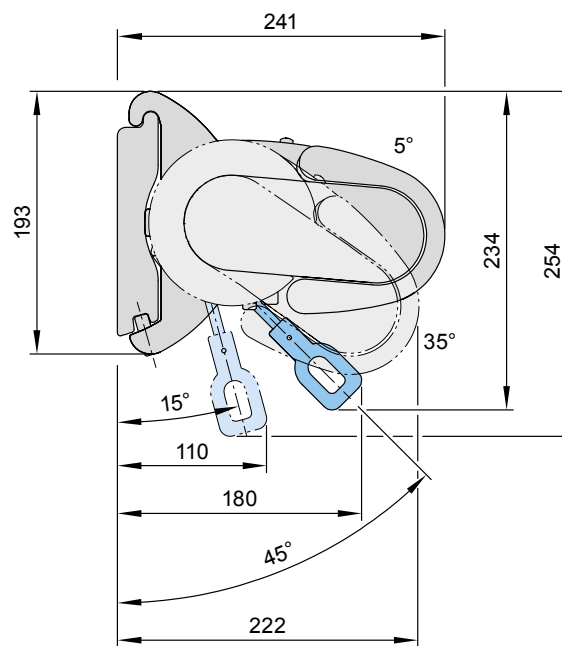
15

16

17



dimensions in mm

Face fixture, radio-controlled motor with manual override

01

02

03

04

05

06

07

08

09

10

11

12

13

14

15

16

17

01

02

03

04

05

06

07

08

09

10

11

12

13

14

15

16

17